



PRODUCT CATALOGUE

2017



2 Table of Contents

Page

Stelrad Radiator Section

3-8	K1 & K2 Softline Compact Radiators
9-11	S1 & S2 Style Radiators
12-14	Classic Column Radiators
15	Vertex & Style Vertical Radiators
16-18	Ladder Rail Towel Warmers
19	STR Towel Rail

Herz Valves and Accessories

20-23	Thermostatic Radiator Valve Sets
23-24	Radiator Connectors
25-26	Radiator Valves
27	Chrome Radiator Valves
28	Controls
28-31	Accessories
32	Calculating Existing Cast Iron Radiator Output
33	Classic Column Wall Bracket Installation Guide
34	Piping options for Stelrad Steel panel radiators
35	Terms

Contact Information:

Express Radiant Ltd.

50 Lockhart Road
Barrie, ON, Canada L4N 9G8

T: 705 730 6868 / 1 888 719 9913

F: 705 730 1949 / 1 888 903 3340

E: support@expressradiant.ca

www.expressradiant.ca

Cover, top left: K2 Softline Radiator, Column Radiator, Softline Grille Detail, Style Radiator, Curved Chrome Ladder Rail, Vertex Radiator

Stelrad K1 and K2 Softline Compact Radiator



All Hydronic Radiators and Towel Warmers must be installed on a non-potable, closed system.



With gently curved top grille and end panels, the New Stelrad Softline Radiator is the mould breaking next generation compact radiator from Stelrad. Now available in heights of 8", 12", 18", 24" and 28" inches and a variety of lengths from 16" to 120". Most items are carried in stock and come with wall brackets, hardware pack and instructions for easy installation. Each steel radiator has a 1/2" BSP connection, is powder coated white (RAL 9016) and carries a ten year warranty. Valves sold separately.

4 Stelrad K1 Softline Compact Radiator Sizes and Technical Data

PART # (Inches)	HEIGHT (mm)	LENGTH (mm)	OUTPUT bth/hr 110 °F AWT	OUTPUT bth/hr 140 °F AWT	OUTPUT bth/hr 160 °F AWT	OUTPUT bth/hr 180 °F AWT	WEIGHT (Lbs)	Rough-In from finished wall	Rough-In distance apart centre to centre*
K1 08 20	200	500	283	585	805	1043	10	2 1/8" or 2 5/8"	23 3/4"
K1 08 24	200	600	340	702	966	1260	11	2 1/8" or 2 5/8"	27 1/2"
K1 08 32	200	800	453	939	1288	1680	13	2 1/8" or 2 5/8"	35 1/2"
K1 08 36	200	900	510	1053	1449	1890	14	2 1/8" or 2 5/8"	39 3/8"
K1 08 40	200	1000	565	1170	1610	2085	16	2 1/8" or 2 5/8"	43 1/4"
K1 08 48	200	1200	679	1404	1932	2520	19	2 1/8" or 2 5/8"	51 1/4"
K1 08 60	200	1500	847	1755	2415	3128	23	2 1/8" or 2 5/8"	63"
K1 08 72	200	1800	1019	2106	2898	3780	27	2 1/8" or 2 5/8"	74 3/4"
K1 08 80	200	2000	1131	2342	3223	4175	29	2 1/8" or 2 5/8"	82 5/8"
K1 08 98	200	2500	1413	2924	4024	5213	36	2 1/8" or 2 5/8"	102 3/8"
K1 08 120	200	3000	1696	3510	4830	6257	42	2 1/8" or 2 5/8"	122"
K1 12 20	300	500	305	626	868	1127	10	2 1/8" or 2 5/8"	23 3/4"
K1 12 24	300	600	366	750	1044	1356	12	2 1/8" or 2 5/8"	27 1/2"
K1 12 32	300	800	488	1000	1392	1808	16	2 1/8" or 2 5/8"	35 1/2"
K1 12 36	300	900	549	1125	1556	2023	18	2 1/8" or 2 5/8"	39 3/8"
K1 12 40	300	1000	611	1252	1737	2255	21	2 1/8" or 2 5/8"	43 1/4"
K1 12 48	300	1200	732	1500	2088	2712	24	2 1/8" or 2 5/8"	51 1/4"
K1 12 60	300	1500	916	1878	2605	3381	31	2 1/8" or 2 5/8"	63"
K1 12 72	300	1800	1098	2250	3132	4068	36	2 1/8" or 2 5/8"	74 3/4"
K1 12 80	300	2000	1222	2504	3473	4508	41	2 1/8" or 2 5/8"	82 5/8"
K1 12 98	300	2500	1527	3131	4342	5636	51	2 1/8" or 2 5/8"	102 3/8"
K1 12 120	300	3000	1833	3756	5210	6763	62	2 1/8" or 2 5/8"	122"
K1 18 16	450	400	363	744	1032	1340	13	2 1/8" or 2 5/8"	19 5/8"
K1 18 20	450	500	454	930	1290	1674	16	2 1/8" or 2 5/8"	23 3/4"
K1 18 24	450	600	544	1116	1548	2009	19	2 1/8" or 2 5/8"	27 1/2"
K1 18 28	450	700	635	1302	1806	2344	22	2 1/8" or 2 5/8"	31 1/2"
K1 18 32	450	800	726	1488	2064	2679	26	2 1/8" or 2 5/8"	35 1/2"
K1 18 36	450	900	817	1674	2322	3014	29	2 1/8" or 2 5/8"	39 3/8"
K1 18 40	450	1000	907	1859	2579	3348	32	2 1/8" or 2 5/8"	43 1/4"
K1 18 44	450	1100	998	2045	2837	3682	35	2 1/8" or 2 5/8"	47 1/4"
K1 18 48	450	1200	1089	2231	3095	4017	38	2 1/8" or 2 5/8"	51 1/4"
K1 18 55	450	1400	1270	2604	3611	4687	45	2 1/8" or 2 5/8"	59"
K1 18 64	450	1600	1452	2976	4127	5357	51	2 1/8" or 2 5/8"	67"
K1 18 72	450	1800	1633	3348	4643	6027	57	2 1/8" or 2 5/8"	74 3/4"
K1 18 80	450	2000	1815	3720	5159	6696	64	2 1/8" or 2 5/8"	82 5/8"
K1 18 86	450	2200	1996	4092	5675	7366	70	2 1/8" or 2 5/8"	90 1/2"
K1 18 94	450	2400	2178	4464	6191	8036	77	2 1/8" or 2 5/8"	98 1/2"
K1 18 100	450	2600	2359	4836	6707	8706	83	2 1/8" or 2 5/8"	106 1/4"
K1 18 110	450	2800	2541	5208	7223	9375	89	2 1/8" or 2 5/8"	114 1/8"
K1 18 120	450	3000	2722	5579	7738	10044	96	2 1/8" or 2 5/8"	122"

AWT = Average Water Temperature

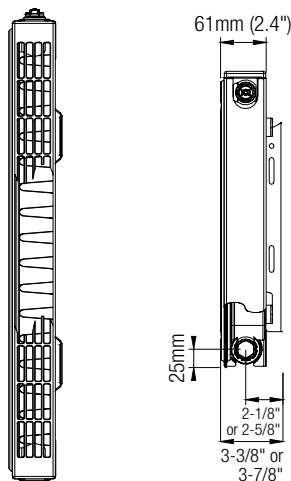
Stelrad K1 Softline Compact Radiator Sizes and Technical Data

PART # (Inches)	HEIGHT (mm)	LENGTH (mm)	OUTPUT bth/hr 110 °F AWT	OUTPUT bth/hr 140 °F AWT	OUTPUT bth/hr 160 °F AWT	OUTPUT bth/hr 180 °F AWT	WEIGHT (Lbs)	Rough-In from finished wall	Rough-In distance apart centre to centre*
K1 24 16	600	400	471	965	1338	1737	17	2 1/8" or 2 5/8"	19 5/8"
K1 24 20	600	500	588	1206	1672	2170	22	2 1/8" or 2 5/8"	23 3/4"
K1 24 24	600	600	706	1446	2006	2604	26	2 1/8" or 2 5/8"	27 1/2"
K1 24 28	600	700	824	1688	2341	3039	30	2 1/8" or 2 5/8"	31 1/2"
K1 24 32	600	800	941	1929	2675	3472	35	2 1/8" or 2 5/8"	35 1/2"
K1 24 36	600	900	1059	2169	3009	3906	39	2 1/8" or 2 5/8"	39 3/8"
K1 24 40	600	1000	1176	2411	3344	4341	43	2 1/8" or 2 5/8"	43 1/4"
K1 24 44	600	1100	1294	2652	3678	4774	48	2 1/8" or 2 5/8"	47 1/4"
K1 24 48	600	1200	1412	2893	4013	5209	52	2 1/8" or 2 5/8"	51 1/4"
K1 24 55	600	1400	1647	3375	4681	6076	61	2 1/8" or 2 5/8"	59"
K1 24 64	600	1600	1882	3857	5350	6944	69	2 1/8" or 2 5/8"	67"
K1 24 72	600	1800	2117	4340	6019	7813	78	2 1/8" or 2 5/8"	74 3/4"
K1 24 80	600	2000	2353	4822	6688	8681	87	2 1/8" or 2 5/8"	82 5/8"
K1 24 86	600	2200	2588	5304	7356	9548	95	2 1/8" or 2 5/8"	90 1/2"
K1 24 94	600	2400	2823	5786	8025	10416	104	2 1/8" or 2 5/8"	98 1/2"
K1 24 100	600	2600	3058	6268	8694	11285	113	2 1/8" or 2 5/8"	106 1/4"
K1 24 110	600	2800	3293	6751	9363	12153	121	2 1/8" or 2 5/8"	114 1/8"
K1 24 120	600	3000	3528	7232	10031	13020	130	2 1/8" or 2 5/8"	122"
K1 28 16	700	400	536	1099	1524	1978	20	2 1/8" or 2 5/8"	19 5/8"
K1 28 20	700	500	670	1374	1906	2474	25	2 1/8" or 2 5/8"	23 3/4"
K1 28 24	700	600	805	1649	2287	2969	30	2 1/8" or 2 5/8"	27 1/2"
K1 28 28	700	700	938	1924	2668	3463	35	2 1/8" or 2 5/8"	31 1/2"
K1 28 32	700	800	1073	2198	3049	3958	40	2 1/8" or 2 5/8"	35 1/2"
K1 28 36	700	900	1207	2473	3431	4454	46	2 1/8" or 2 5/8"	39 3/8"
K1 28 48	700	1200	1610	3298	4574	6926	60	2 1/8" or 2 5/8"	51 1/4"

K1 Single Panel

* Rough in measurements based on using Herz miniset valve item# VA-1773484C, VA-1773485P and V-CROSSH16C or P

- Deduct 1/2" total if using Herz valves items: 3, 8, 9, 11, 12, 13, 14 and 19 in the valves section
- Deduct 2" total from rough in measurements when using angle connectors item # V-1624201-C or P



6 Stelrad K2 Softline Compact Radiator Sizes and Technical Data

PART # (Inches)	HEIGHT (mm)	LENGTH (mm)	OUTPUT bth/hr 110 °F AWT	OUTPUT bth/hr 140 °F AWT	OUTPUT bth/hr 160 °F AWT	OUTPUT bth/hr 180 °F AWT	WEIGHT (Lbs)	Rough-In from finished wall	Rough-In distance apart centre to centre*
K2 08 20	200	500	509	1053	1449	1877	15	3" or 3 1/2"	23 3/4"
K2 08 24	200	600	611	1264	1740	2256	17	3" or 3 1/2"	27 1/2"
K2 08 32	200	800	814	1685	2320	3008	22	3" or 3 1/2"	35 1/2"
K2 08 36	200	900	917	1899	2610	3384	25	3" or 3 1/2"	39 3/8"
K2 08 40	200	1000	1012	2107	2899	3755	27	3" or 3 1/2"	43 1/4"
K2 08 48	200	1200	1222	2528	3480	4512	31	3" or 3 1/2"	51 1/4"
K2 08 60	200	1500	1526	3160	4348	5632	38	3" or 3 1/2"	63"
K2 08 72	200	1800	1833	3791	5220	6768	45	3" or 3 1/2"	74 3/4"
K2 08 80	200	2000	2035	4213	5797	7509	49	3" or 3 1/2"	82 5/8"
K2 08 98	200	2500	2543	5264	7244	9383	60	3" or 3 1/2"	102 3/8"
K2 08 120	200	3000	3051	6317	8693	11260	72	3" or 3 1/2"	122"
K2 12 20	300	500	589	1208	1675	2174	18	3" or 3 1/2"	23 3/4"
K2 12 24	300	600	720	1452	2010	2610	22	3" or 3 1/2"	27 1/2"
K2 12 32	300	800	960	1936	2680	3480	29	3" or 3 1/2"	35 1/2"
K2 12 36	300	900	1080	2178	3015	3915	32	3" or 3 1/2"	39 3/8"
K2 12 40	300	1000	1179	2416	3351	4350	37	3" or 3 1/2"	43 1/4"
K2 12 48	300	1200	1440	2904	4020	5220	43	3" or 3 1/2"	51 1/4"
K2 12 60	300	1500	1768	3624	5026	6524	55	3" or 3 1/2"	63"
K2 12 72	300	1800	2160	4356	6030	7830	65	3" or 3 1/2"	74 3/4"
K2 12 80	300	2000	2357	4831	6701	8698	74	3" or 3 1/2"	82 5/8"
K2 12 98	300	2500	2946	6039	8376	10872	92	3" or 3 1/2"	102 3/8"
K2 12 120	300	3000	3536	7247	10052	13047	111	3" or 3 1/2"	122"
K2 18 16	450	400	658	1349	1871	2429	23	3" or 3 1/2"	19 5/8"
K2 18 20	450	500	823	1686	2339	3036	28	3" or 3 1/2"	23 3/4"
K2 18 24	450	600	987	2024	2807	3643	34	3" or 3 1/2"	27 1/2"
K2 18 28	450	700	1152	2361	3274	4250	40	3" or 3 1/2"	31 1/2"
K2 18 32	450	800	1316	2698	3742	4857	46	3" or 3 1/2"	35 1/2"
K2 18 36	450	900	1481	3035	4210	5465	51	3" or 3 1/2"	39 3/8"
K2 18 40	450	1000	1646	3373	4678	6072	57	3" or 3 1/2"	43 1/4"
K2 18 44	450	1100	1810	3710	5146	6680	63	3" or 3 1/2"	47 1/4"
K2 18 48	450	1200	1975	4047	5613	7286	68	3" or 3 1/2"	51 1/4"
K2 18 55	450	1400	2304	4722	6549	8501	80	3" or 3 1/2"	59"
K2 18 64	450	1600	2633	5397	7485	9716	91	3" or 3 1/2"	67"
K2 18 72	450	1800	2962	6071	8420	10929	103	3" or 3 1/2"	74 3/4"
K2 18 80	450	2000	3291	6746	9356	12144	114	3" or 3 1/2"	82 5/8"
K2 18 86	450	2200	3620	7420	10291	13358	125	3" or 3 1/2"	90 1/2"
K2 18 94	450	2400	3949	8095	11227	14573	137	3" or 3 1/2"	98 1/2"
K2 18 100	450	2600	4278	8769	12162	15786	148	3" or 3 1/2"	106 1/4"
K2 18 110	450	2800	4607	9444	13098	17001	160	3" or 3 1/2"	114 1/8"
K2 18 120	450	3000	4937	10119	14034	18216	171	3" or 3 1/2"	122"

AWT = Average Water Temperature

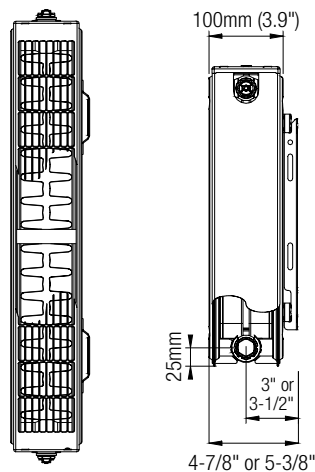
Stelrad K2 Softline Compact Radiator Sizes and Technical Data

PART # (Inches)	HEIGHT (mm)	LENGTH (mm)	OUTPUT bth/hr 110 °F AWT	OUTPUT bth/hr 140 °F AWT	OUTPUT bth/hr 160 °F AWT	OUTPUT bth/hr 180 °F AWT	WEIGHT (Lbs)	Rough-In from finished wall	Rough-In distance apart centre to centre*
K2 24 16	600	400	831	1704	2364	3068	31	3" or 3 1/2"	19 5/8"
K2 24 20	600	500	1040	2131	2955	3836	39	3" or 3 1/2"	23 3/4"
K2 24 24	600	600	1247	2557	3546	4603	46	3" or 3 1/2"	27 1/2"
K2 24 28	600	700	1455	2983	4137	5370	54	3" or 3 1/2"	31 1/2"
K2 24 32	600	800	1663	3409	4728	6137	62	3" or 3 1/2"	35 1/2"
K2 24 36	600	900	1871	3835	5319	6904	69	3" or 3 1/2"	39 3/8"
K2 24 40	600	1000	2079	4261	5910	7671	77	3" or 3 1/2"	43 1/4"
K2 24 44	600	1100	2287	4687	6501	8438	85	3" or 3 1/2"	47 1/4"
K2 24 48	600	1200	2495	5113	7092	9205	92	3" or 3 1/2"	51 1/4"
K2 24 55	600	1400	2910	5965	8273	10738	108	3" or 3 1/2"	59"
K2 24 64	600	1600	3326	6817	9455	12273	123	3" or 3 1/2"	67"
K2 24 72	600	1800	3742	7669	10637	13807	139	3" or 3 1/2"	74 3/4"
K2 24 80	600	2000	4157	8521	11819	15341	154	3" or 3 1/2"	82 5/8"
K2 24 86	600	2200	4573	9374	13001	16875	169	3" or 3 1/2"	90 1/2"
K2 24 94	600	2400	4989	10226	14183	18410	185	3" or 3 1/2"	98 1/2"
K2 24 100	600	2600	5405	11078	15365	19944	200	3" or 3 1/2"	106 1/4"
K2 24 110	600	2800	5821	11930	16547	21478	216	3" or 3 1/2"	114 1/8"
K2 24 120	600	3000	6236	12783	17729	23012	231	3" or 3 1/2"	122"
K2 28 16	700	400	941	1929	2676	3473	36	3" or 3 1/2"	19 5/8"
K2 28 20	700	500	1177	2412	3345	4342	45	3" or 3 1/2"	23 3/4"
K2 28 24	700	600	1412	2895	4015	5211	53	3" or 3 1/2"	27 1/2"
K2 28 28	700	700	1648	3377	4684	6080	62	3" or 3 1/2"	31 1/2"
K2 28 32	700	800	1883	3860	5353	6948	71	3" or 3 1/2"	35 1/2"
K2 28 36	700	900	2119	4343	6024	7820	80	3" or 3 1/2"	39 3/8"
K2 28 48	700	1200	2824	5790	8030	10422	106	3" or 3-1/2"	51 1/4"

K2 Double Panel

* Rough in measurements based on using Herz miniset valve item# VA-1773484C, VA-1773485P and V-CROSSH16C or P

- Deduct 1/2" total if using Herz valves items: 3, 8, 9, 11, 12, 13, 14 and 19 in the valves section
- Deduct 2" total from rough in measurements when using angle connectors item # V-1624201-C or P



8 Stelrad Softline Compact Radiator K1 and K2 Technical Data

To determine the output of the radiator for average water temperatures other than 180 °F and air temperature of 70 °F apply the correction factor below and multiply by the quoted output of the radiator.

		Average Water Temperature (°F)									
		110	120	130	140	150	160	170	180	190	200
Room Air Temperature (°F)	80	0.207	0.293	0.384	0.477	0.590	0.690	0.800	0.910	1.026	1.141
	75	0.25	0.338	0.430	0.533	0.640	0.745	0.855	0.968	1.083	1.198
	72	0.271	0.361	0.453	0.561	0.665	0.772	0.882	0.997	1.112	1.226
	70	0.293	0.384	0.477	0.590	0.690	0.800	0.910	1.026	1.141	1.255
	65	0.338	0.430	0.533	0.640	0.745	0.855	0.968	1.083	1.198	1.316

SOFTLINE COMPACT LUG POSITIONS - OPTION 1

L	K1		B	K2		D
	A (mm)	A (Inches)		C (mm)	C (Inches)	
400	117	4.625	-	133	5.25	-
500 - 1100	150	6	-	133	5.25	-
1200 - 1600	283	11	-	267	10.5	-
1800 - 3000	283	11	(L/2)	267	10.5	(L/2)

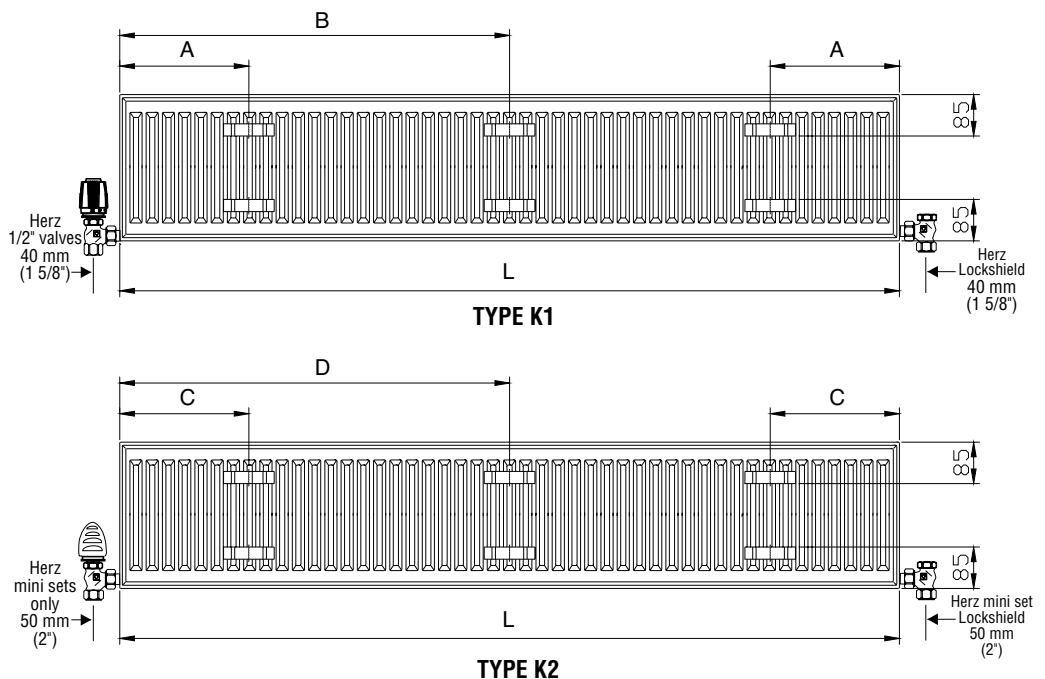
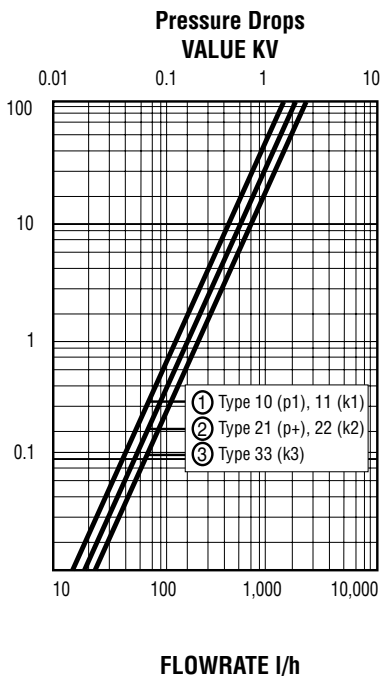
Option 1 - existing stock.

SOFTLINE COMPACT LUG POSITIONS - OPTION 2

L	K1		B		K2		D
	A (mm)	A (Inches)	(mm)	(Inches)	C (mm)	C (Inches)	
400	117	4.625	-	-	133	5.25	-
500 - 1100	150	6	-	-	133	5.25	-
1200 - 1600	150	6	L/2 + 17	L/2 + .625	133	5.25	-
1800 - 3000	150	6	L/2 + 17	L/2 + .625	133	5.25	(L/2)

Option 2 - incoming stock.

Please call for clarification or rough-in for both options.



North American Distribution: Barrie, Ontario, Canada Tel: 1-888-719-9913 Fax: 1-888-903-3340

Stelrad S1 and S2 Style Radiator



The Style Radiator offers a modern, sleek design and excellent value while still providing exceptional BTU output. The Style Radiator range is now available in four popular heights and a wide selection of lengths in both the single or double panel. Finished in a powder coated white the radiator comes with hardware pack and wall brackets. Valves sold separately. Ten year warranty on all horizontal Style Radiators.

See page 15 for the new Style Vertical Radiator, now available in a 12" width.

Please allow seven to ten days for delivery. All Style Radiator orders are subject to a 25% restocking fee.

North American Distribution: Barrie, Ontario, Canada Tel: 1-888-719-9913 Fax: 1-888-903-3340

EXPRESS RADIANT LTD. PURSUE A POLICY OF CONTINUING IMPROVEMENT IN DESIGN AND PERFORMANCE OF THE PRODUCTS WE SELL. THE RIGHT IS THEREFORE RESERVED TO VARY SPECIFICATIONS AND PRICING WITHOUT NOTICE.
Stelrad® and Herz® Canadian Distributor | ©2014 Express Radiant Ltd.

10 Stelrad S1 and S2 Style Radiator Sizes and Technical Data

PART # (Inches)	HEIGHT (mm)	LENGTH (mm)	OUTPUT bth/hr 110 °F AWT	OUTPUT bth/hr 140 °F AWT	OUTPUT bth/hr 160 °F AWT	OUTPUT bth/hr 180 °F AWT	WEIGHT (Lbs)	STOCK STATUS
S1 08 20	200	500	263	526	732	939	12	stock
S1 08 40	200	1000	526	1051	1464	1877	20	stock
S1 08 60	200	1500	801	1602	2232	2862	28	stock
S1 08 80	200	2000	1052	2104	2931	3758	36	stock
S1 12 20	300	500	270	554	768	997	13	stock
S1 12 40	300	1000	540	1107	1535	1992	27	stock
S1 12 60	300	1500	862	1766	2450	3180	40	stock
S1 12 80	300	2000	1080	2214	3071	3986	52	stock
S1 18 20	450	500	399	818	1135	1473	19	stock
S1 18 24	450	600	479	982	1362	1768	24	stock
S1 18 32	450	800	639	1309	1816	2357	32	stock
S1 18 36	450	900	719	1473	2043	2652	37	stock
S1 18 44	450	1100	878	1800	2496	3240	45	stock
S1 18 48	450	1200	958	1963	2723	3534	49	stock
S1 18 64	450	1600	1277	2618	3631	4713	66	stock
S1 18 72	450	1800	1437	2945	4085	5302	73	stock
S1 24 20	600	500	517	1061	1471	1909	28	stock
S1 24 24	600	600	621	1273	1765	2291	33	stock
S1 24 32	600	800	828	1697	2354	3055	44	stock
S1 24 36	600	900	931	1908	2647	3436	50	stock
S1 24 44	600	1100	1138	2333	3236	4200	61	stock
S1 24 48	600	1200	1242	2546	3531	4583	66	stock
S1 24 64	600	1600	1656	3394	4708	6111	88	stock
S1 24 72	600	1800	1863	3818	5296	6874	100	stock

S2 08 20	200	500	458	948	1304	1689	17	stock
S2 08 40	200	1000	911	1896	2609	3380	31	stock
S2 08 60	200	1500	1373	2844	3913	5069	44	stock
S2 08 80	200	2000	1832	3792	5216	6758	56	stock
S2 12 20	300	500	518	1063	1474	1913	27	stock
S2 12 40	300	1000	1037	2126	2949	3828	43	stock
S2 12 60	300	1500	1556	3188	4422	5740	64	stock
S2 12 80	300	2000	2074	4251	5896	7653	85	stock
S2 18 20	450	500	724	1484	2058	2671	32	stock
S2 18 24	450	600	869	1781	2470	3206	39	stock
S2 18 32	450	800	1158	2374	3292	4273	52	stock
S2 18 36	450	900	1303	2671	3704	4808	59	stock
S2 18 44	450	1100	1593	3265	4528	5877	73	stock
S2 18 48	450	1200	1737	3561	4939	6411	79	stock
S2 18 64	450	1600	2317	4749	6586	8549	106	stock
S2 18 72	450	1800	2606	5342	7409	9617	119	stock
S2 24 20	600	500	915	1875	2600	3375	45	stock
S2 24 24	600	600	1098	2250	3120	4050	53	stock
S2 24 32	600	800	1463	2999	4160	5400	71	stock
S2 24 36	600	900	1646	3374	4680	6075	80	stock
S2 24 44	600	1100	2012	4124	5720	7425	98	stock
S2 24 48	600	1200	2195	4499	6240	8100	106	stock
S2 24 64	600	1600	2927	5999	8320	10799	142	stock
S2 24 72	600	1800	3292	6749	9360	12149	161	stock

Stelrad Style S1 and S2 Rough-In and Technical Data

To determine the output of the radiator for average water temperatures other than 180 °F and air temperature of 70 °F apply the correction factor below and multiply by the quoted output of the radiator.

		Average Water Temperature (°F)									
		110	120	130	140	150	160	170	180	190	200
Room Air Temperature (°F)	FACTOR										
	80	0.207	0.293	0.384	0.477	0.590	0.690	0.800	0.910	1.026	1.141
	75	0.25	0.338	0.430	0.533	0.640	0.745	0.855	0.968	1.083	1.198
	72	0.271	0.361	0.453	0.561	0.665	0.772	0.882	0.997	1.112	1.226
	70	0.293	0.384	0.477	0.590	0.690	0.800	0.910	1.026	1.141	1.255
65	0.338	0.430	0.533	0.640	0.745	0.855	0.968	1.083	1.198	1.316	

STYLE COMPACT LUG POSITIONS - OPTION 1

L	S1		S2		D	
	A	B	C	D		
	(mm)	(Inches)	(mm)	(Inches)		
400	117	4.625	-	133	5.25	-
500 - 1100	150	6	-	133	5.25	-
1200 - 1600	283	11	-	267	10.5	-
1800 - 3000	283	11	(L/2)	267	10.5	(L/2)

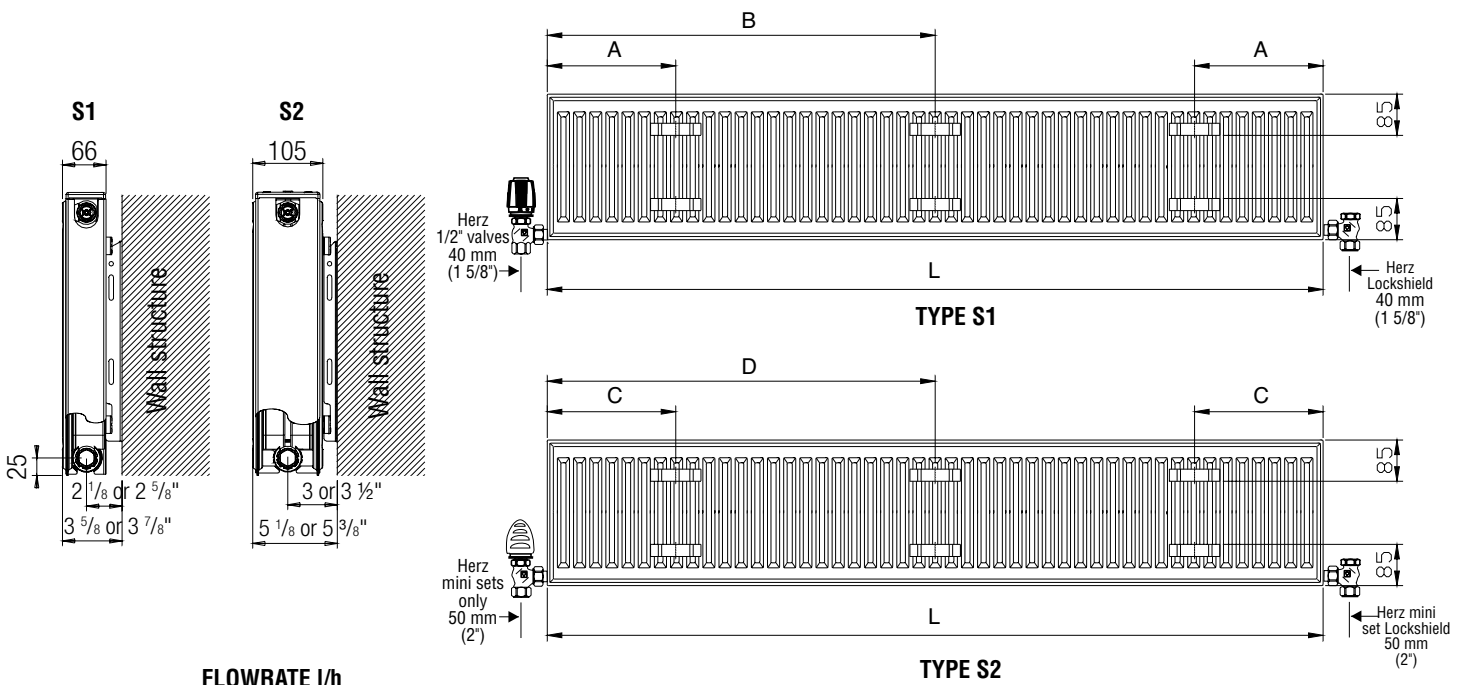
Option 1 - existing stock.

STYLE COMPACT LUG POSITIONS - OPTION 2

L	S1		S2		D		
	A	B	C	D			
	(mm)	(Inches)	(mm)	(Inches)	(mm)	(Inches)	
400	117	4.625	-	-	133	5.25	-
500 - 1100	150	6	-	-	133	5.25	-
1200 - 1600	150	6	L/2 + 17	L/2 + .625	133	5.25	-
1800 - 3000	150	6	L/2 + 17	L/2 + .625	133	5.25	(L/2)

Option 2 - incoming stock.

Please call for clarification or rough-in for both options.



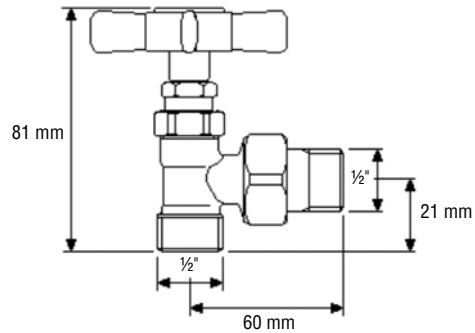
FLOWRATE l/h

North American Distribution: Barrie, Ontario, Canada Tel: 1-888-719-9913 Fax: 1-888-903-3340

12 Classic Column Radiators



Manual Angle Cross Head Valves



Copper and Pex Connectors not shown.



The column radiator is available in three different heights with either three or four bars and comes in a variety of lengths. Please note the last set of numbers in the part# denotes the number of sections NOT the finished length in inches. Each Classic Column comes with wall brackets and hardware pack. Floor brackets are available for greater stability on the longer radiators. See product # V-CLFS on page 29. Columns require a 1/2" BSP connection, valves sold separately. Warranty on Column Radiators is 5 years.



See page 32 to calculate the heat output from existing cast iron column and tubular radiators.

Classic Column Radiator Sizes and Technical Data

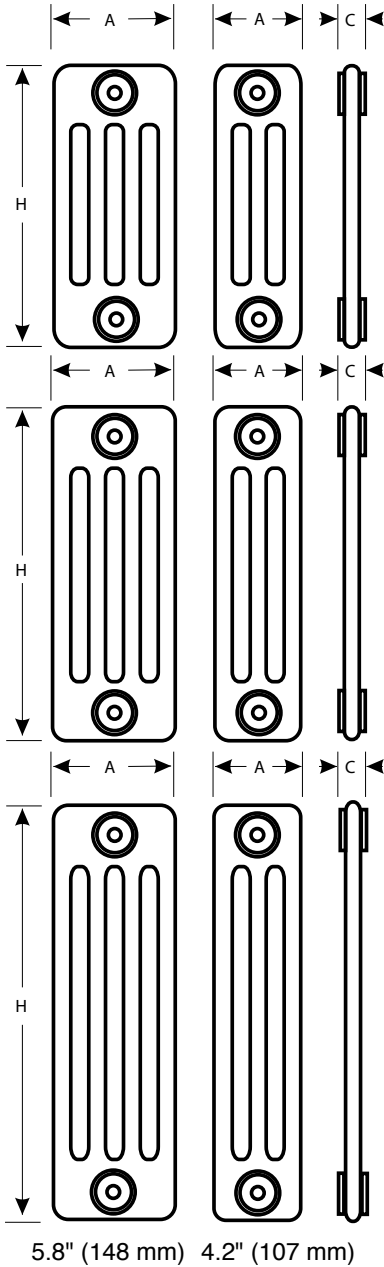
PART # H x B x S*	HEIGHT (mm)	HEIGHT (inches)	LENGTH (mm)	LENGTH (inches)	OUTPUT bth/hr 140 °F AWT	OUTPUT bth/hr 160 °F AWT	OUTPUT bth/hr 180 °F AWT	WEIGHT (Lbs)	STOCK STATUS
C12 3 09	300	11.8	405	15.94	688	954	1238	15	stock
C12 3 13	300	11.8	585	23.03	994	1378	1789	22	stock
C12 3 18	300	11.8	810	31.88	1376	1909	2478	30	stock
C12 3 22	300	11.8	990	38.97	1682	2333	3028	37	stock
C12 3 27	300	11.8	1215	47.83	2064	2863	3716	46	stock
C12 3 31	300	11.8	1395	54.92	2370	3287	4267	53	stock
C20 3 09	500	19.7	405	15.94	1132	1570	2038	24	stock
C20 3 13	500	19.7	585	23.03	1635	2268	2944	34	stock
C20 3 18	500	19.7	810	31.88	2264	3140	4076	48	stock
C20 3 22	500	19.7	990	38.97	2767	3838	4982	58	stock
C20 3 27	500	19.7	1215	47.83	3396	4710	6114	71	stock
C20 3 31	500	19.7	1395	54.92	3899	5408	7020	82	stock
C20 3 36	500	19.7	1620	63.77	4528	6280	8152	96	stock
C20 3 40	500	19.7	1800	70.86	5031	6978	9057	106	stock
C30 3 09	750	29.5	405	15.94	1665	2313	2997	34	stock
C30 3 13	750	29.5	585	23.03	2405	3341	4329	49	stock
C30 3 18	750	29.5	810	31.88	3330	4618	5994	68	stock
C30 3 22	750	29.5	990	38.97	4069	5644	7326	83	stock
C30 3 27	750	29.5	1215	47.83	4994	6926	8990	102	stock
C30 3 31	750	29.5	1395	54.92	5735	7967	10323	118	stock
C30 3 36	750	29.5	1620	63.77	6660	9236	11988	134	stock
C30 3 40	750	29.5	1800	70.86	7399	10262	13320	151	stock

PART # H x B x S*	HEIGHT (mm)	HEIGHT (inches)	LENGTH (mm)	LENGTH (inches)	OUTPUT bth/hr 140 °F AWT	OUTPUT bth/hr 160 °F AWT	OUTPUT bth/hr 180 °F AWT	WEIGHT (Lbs)	STOCK STATUS
C12 4 09	300	11.8	405	15.94	888	1231	1598	22	stock
C12 4 13	300	11.8	585	23.03	1282	1778	2308	31	stock
C12 4 18	300	11.8	810	31.88	1775	2462	3196	43	stock
C12 4 22	300	11.8	990	38.97	2170	3010	3907	53	stock
C12 4 27	300	11.8	1215	47.83	2663	3694	4795	65	stock
C12 4 31	300	11.8	1395	54.92	3058	4242	5506	74	stock
C20 4 09	500	19.7	405	15.94	1443	2001	2597	33	stock
C20 4 13	500	19.7	585	23.03	2084	2890	3751	47	stock
C20 4 18	500	19.7	810	31.88	2885	4002	5195	65	stock
C20 4 22	500	19.7	990	38.97	3526	4891	6349	80	stock
C20 4 27	500	19.7	1215	47.83	4328	6003	7792	98	stock
C20 4 31	500	19.7	1395	54.92	4970	6893	8947	113	stock
C20 4 36	500	19.7	1620	63.77	5772	8004	10388	132	stock
C20 4 40	500	19.7	1800	70.86	6413	8894	11544	145	stock
C30 4 09	750	29.5	405	15.94	2106	2925	3798	45	stock
C30 4 13	750	29.5	585	23.03	3042	4225	5486	65	stock
C30 4 18	750	29.5	810	31.88	4216	5848	7591	91	stock
C30 4 22	750	29.5	990	38.97	5154	7149	9279	112	stock
C30 4 27	750	29.5	1215	47.83	6326	8774	11389	137	stock
C30 4 31	750	29.5	1395	54.92	7254	10075	13082	158	stock
C30 4 36	750	29.5	1620	63.77	8432	11696	15182	182	stock
C30 4 40	750	29.5	1800	70.86	9372	12998	16871	203	stock

*H x B x S:
 H = Height in approximate inches
 B = Number of Bars
 S = Number of Sections

Please allow seven to ten days for delivery. All Column Radiator orders are subject to a 25% restocking fee.

14 Classic Column Radiator Rough-In Dimensions



	HEIGHT (mm) H	DEPTH (mm) A	WIDTH (mm) C	WEIGHT (PER SECTION) KG'S	WATER CONTENT (PER SECTION) LITRES
3 COLUMN	300	107	45	0.77	0.67
4 COLUMN	300	148	45	1.09	0.9

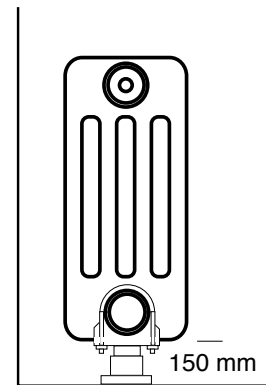
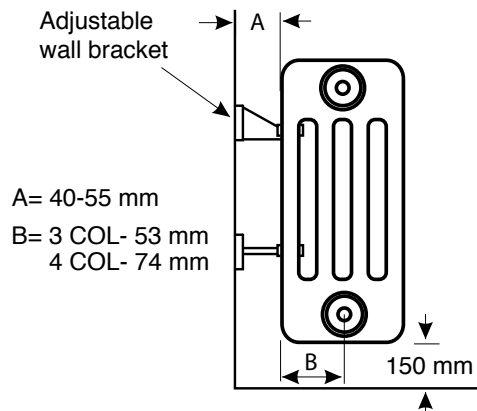
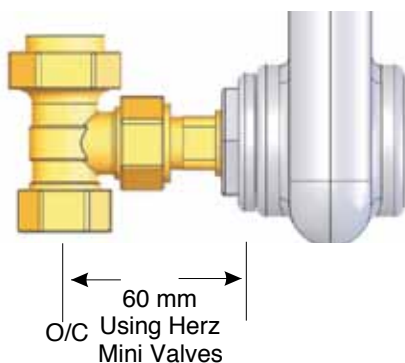
	HEIGHT (mm) H	DEPTH (mm) A	WIDTH (mm) C	WEIGHT (PER SECTION) KG'S	WATER CONTENT (PER SECTION) LITRES
3 COLUMN	500	107	45	1.2	0.91
4 COLUMN	500	148	45	1.65	1.22



	HEIGHT (mm) H	DEPTH (mm) A	WIDTH (mm) C	WEIGHT (PER SECTION) KG'S	WATER CONTENT (PER SECTION) LITRES
3 COLUMN	750	107	45	1.72	1.21
4 COLUMN	750	148	45	2.31	1.62

Typical Wall Bracket Installation

Optional Floor Standing Brackets

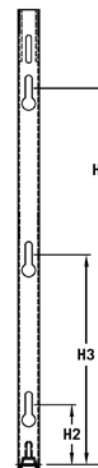


Floor Stand
Model # V-CLFS (sold in pairs)

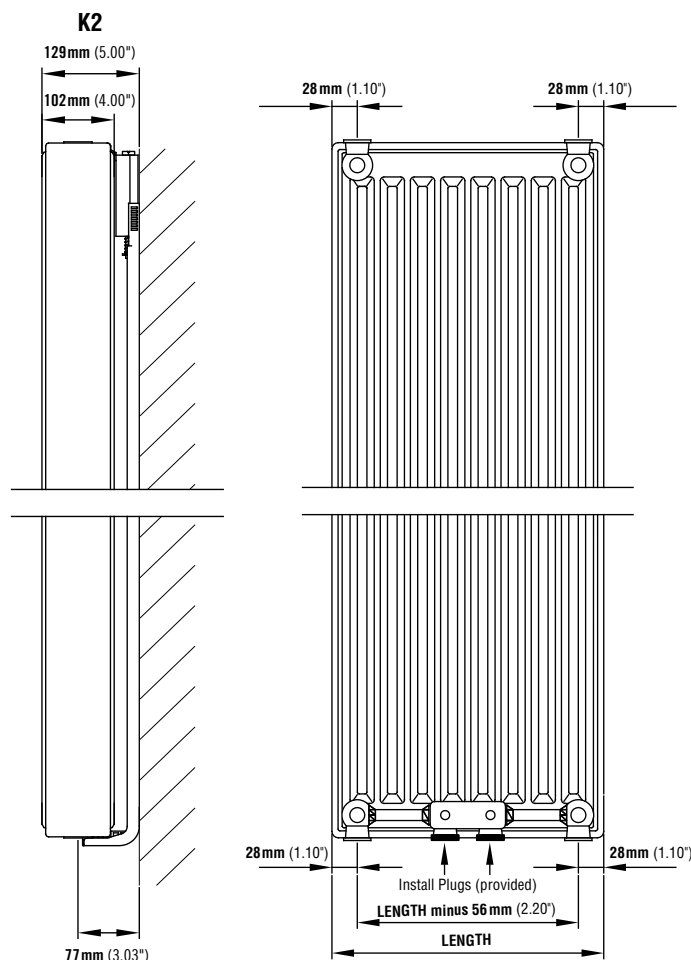
K2 Vertex Vertical Radiator and Style Vertical Radiator

K2 Vertex and Style Mounting brackets

Height		H2		H3		H4	
mm	in	mm	in	mm	in	mm	in
1800	70.87	70	2.75	1115	43.89	1615	63.58
2200	86.61	70	2.75	1315	51.77	2015	79.33



K2 Wall mounting Information for the 2200 and 1800mm



D-VK2-12x72

D-VSK2-16x72

Warranty 5 years on all vertical models.

PART #	LENGTH (mm)	HEIGHT (mm)	OUTPUT bth/hr 110 °F AWT	OUTPUT bth/hr 140 °F AWT	OUTPUT bth/hr 160 °F AWT	OUTPUT bth/hr 180 °F AWT	WEIGHT (Lbs)	PIPE O/C (mm)	STOCK STATUS
D-VK2-12X72	300	1800	1420	2946	4054	5251	70	244	stock
D-VK2-12X86	300	2200	1666	3448	4729	6147	84	244	stock
D-VK2-16X72	400	1800	1904	3941	5405	7026	93	344	stock
D-VK2-16X86	400	2200	2221	4598	6305	8196	112	344	stock
D-VSK2-12X72	300	1800	1325	2744	3777	4892	72	244	stock
D-VSK2-12X86	300	2200	1525	3158	4330	5629	86	244	stock
D-VSK2-16X72	400	1800	1774	3672	5036	6546	95	344	stock
D-VSK2-16X86	400	2200	2034	4210	5773	7505	114	344	stock

16 Ladder Rail Towel Warmers



D-TCC 30x24

Must only be installed on a closed non potable water system. Warranty 5 years on all ladder rails.



D-TCW 30x24

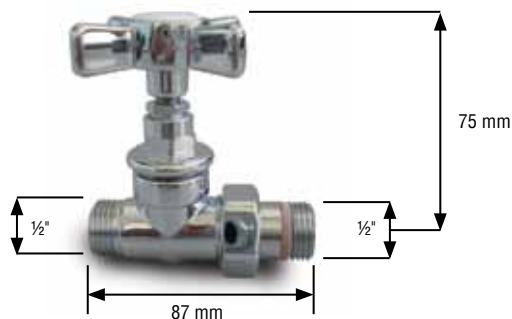


D-TSC 48x20



Optional Manual Cross Head Valves in straight and angle:
 PART# V-CROSSH16 Angle
 V-CROSSH16S Straight
 Available for PEX or Copper.
 See page 27.

Manual Straight Cross Head Valves



Copper and Pex Connectors not shown

Legend for Codes:
 CC = Curved Chrome
 CW = Curved White
 SC = Straight Chrome
 SW = Straight White

Valves are not available as shown.

Ladder Rail Towel Warmers Rough-In and Technical Data

DESCRIPTION	MODEL	HEIGHT mm (inches)	LENGTH mm (inches)	OUTPUT bth/hr 140 °F AWT	OUTPUT bth/hr 160 °F AWT	OUTPUT bth/hr 180 °F AWT	WEIGHT (Lb.)	STOCK STATUS
Ladder Rail Straight White	D-TSW 27x16	678 (27)	400 (16)	691	958	1243	10	stock
Ladder Rail Straight White	D-TSW 30x20	760 (30)	500 (20)	919	1274	1654	13	stock
Ladder Rail Straight White	D-TSW 30x24	760 (30)	600 (24)	1101	1527	1982	16	stock
Ladder Rail Straight White	D-TSW 48x20	1211 (48)	500 (20)	1366	1894	2458	21	stock
Ladder Rail Straight White	D-TSW 48x24	1211 (48)	600 (24)	1621	2248	2918	24	stock
Ladder Rail Straight White	D-TSW 69x20	1744 (69)	500 (20)	2015	2795	3628	31	stock
Ladder Rail Straight White	D-TSW 69x24	1744 (69)	600 (24)	2384	3306	4291	35	stock
Ladder Rail Straight Chrome	D-TSC 27x16	678 (27)	400 (16)	576	798	1036	10	stock
Ladder Rail Straight Chrome	D-TSC 30x20	760 (30)	500 (20)	766	1062	1378	13	stock
Ladder Rail Straight Chrome	D-TSC 30x24	760 (30)	600 (24)	917	1272	1651	16	stock
Ladder Rail Straight Chrome	D-TSC 48x20	1211 (48)	500 (20)	1138	1578	2048	21	stock
Ladder Rail Straight Chrome	D-TSC 48x24	1211 (48)	600 (24)	1350	1873	2431	25	stock
Ladder Rail Straight Chrome	D-TSC 69x20	1744 (69)	500 (20)	1678	2328	3022	31	stock
Ladder Rail Straight Chrome	D-TSC 69x24	1744 (69)	600 (24)	1986	2754	3575	35	stock
Ladder Rail Curved White	D-TCW 30x20	760 (30)	500 (20)	970	1345	1746	14	stock
Ladder Rail Curved White	D-TCW 30x24	760 (30)	600 (24)	1162	1611	2091	16	stock
Ladder Rail Curved White	D-TCW 48x20	1211 (48)	500 (20)	1469	2037	2644	21	stock
Ladder Rail Curved White	D-TCW 48x24	1211 (48)	600 (24)	1743	2417	3137	25	stock
Ladder Rail Curved White	D-TCW 69x20	1744 (69)	500 (20)	2167	3006	3902	31	stock
Ladder Rail Curved White	D-TCW 69x24	1744 (69)	600 (24)	2563	3555	4614	35	stock
Ladder Rail Curved Chrome	D-TCC 30x20	760 (30)	500 (20)	823	1142	1482	14	stock
Ladder Rail Curved Chrome	D-TCC 30x24	760 (30)	600 (24)	986	1368	1776	16	stock
Ladder Rail Curved Chrome	D-TCC 48x20	1211 (48)	500 (20)	1224	1697	2203	21	stock
Ladder Rail Curved Chrome	D-TCC 48x24	1211 (48)	600 (24)	1452	2014	2614	25	stock
Ladder Rail Curved Chrome	D-TCC 69x20	1744 (69)	500 (20)	1805	2504	3250	33	stock
Ladder Rail Curved Chrome	D-TCC 69x24	1744 (69)	600 (24)	2136	2962	3845	36	stock

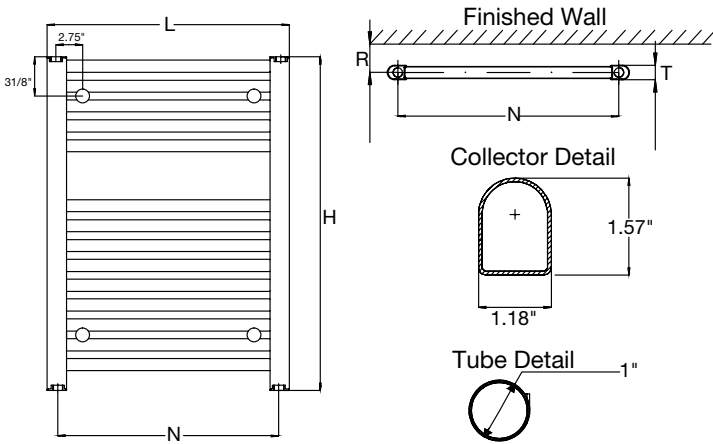
DESCRIPTION	MODEL	HEIGHT mm (inches)	LENGTH mm (inches)	DISTANCE BETWEEN CONNECTIONS mm (inches)	DISTANCE FROM WALL mm (inches)
Ladder Rail Straight White	D-TSW 27X16	678 (27)	400 (16)	356 (14)	71-82 (2 3/4-3 1/4)
Ladder Rail Straight White	D-TSW 30X20	760 (30)	500 (20)	456 (18)	71-82 (2 3/4-3 1/4)
Ladder Rail Straight White	D-TSW 30X24	760 (30)	600 (24)	556 (21 7/8)	71-82 (2 3/4-3 1/4)
Ladder Rail Straight White	D-TSW 48X20	1211 (48)	500 (20)	456 (18)	71-82 (2 3/4-3 1/4)
Ladder Rail Straight White	D-TSW 48X24	1211 (48)	600 (24)	556 (21 7/8)	71-82 (2 3/4-3 1/4)
Ladder Rail Straight White	D-TSW 69X20	1744 (69)	500 (20)	456 (18)	71-82 (2 3/4-3 1/4)
Ladder Rail Straight White	D-TSW 69X24	1744 (69)	600 (24)	556 (21 7/8)	71-82 (2 3/4-3 1/4)
Ladder Rail Straight Chrome	D-TSC 27X16	678 (27)	400 (16)	356 (14)	71-82 (2 3/4-3 1/4)
Ladder Rail Straight Chrome	D-TSC 30X20	760 (30)	500 (20)	456 (18)	71-82 (2 3/4-3 1/4)
Ladder Rail Straight Chrome	D-TSC 30X24	760 (30)	600 (24)	556 (21 7/8)	71-82 (2 3/4-3 1/4)
Ladder Rail Straight Chrome	D-TSC 48X20	1211 (48)	500 (20)	456 (18)	71-82 (2 3/4-3 1/4)
Ladder Rail Straight Chrome	D-TSC 48X24	1211 (48)	600 (24)	556 (21 7/8)	71-82 (2 3/4-3 1/4)
Ladder Rail Straight Chrome	D-TSC 69X20	1744 (69)	500 (20)	456 (18)	71-82 (2 3/4-3 1/4)
Ladder Rail Straight Chrome	D-TSC 69X24	1744 (69)	600 (24)	556 (21 7/8)	71-82 (2 3/4-3 1/4)
Ladder Rail Curved White	D-TCW 30X20	760 (30)	500 (20)	456 (18)	71-82 (2 3/4-3 1/4)
Ladder Rail Curved White	D-TCW 30X24	760 (30)	600 (24)	556 (21 7/8)	71-82 (2 3/4-3 1/4)
Ladder Rail Curved White	D-TCW 48X20	1211 (48)	500 (20)	456 (18)	71-82 (2 3/4-3 1/4)
Ladder Rail Curved White	D-TCW 48X24	1211 (48)	600 (24)	556 (21 7/8)	71-82 (2 3/4-3 1/4)
Ladder Rail Curved White	D-TCW 69X20	1744 (69)	500 (20)	456 (18)	71-82 (2 3/4-3 1/4)
Ladder Rail Curved White	D-TCW 69X24	1744 (69)	600 (24)	556 (21 7/8)	71-82 (2 3/4-3 1/4)
Ladder Rail Curved Chrome	D-TCC 30X20	760 (30)	500 (20)	456 (18)	71-82 (2 3/4-3 1/4)
Ladder Rail Curved Chrome	D-TCC 30X24	760 (30)	600 (24)	556 (21 7/8)	71-82 (2 3/4-3 1/4)
Ladder Rail Curved Chrome	D-TCC 48X20	1211 (48)	500 (20)	456 (18)	71-82 (2 3/4-3 1/4)
Ladder Rail Curved Chrome	D-TCC 48X24	1211 (48)	600 (24)	556 (21 7/8)	71-82 (2 3/4-3 1/4)
Ladder Rail Curved Chrome	D-TCC 69X20	1744 (69)	500 (20)	456 (18)	71-82 (2 3/4-3 1/4)
Ladder Rail Curved Chrome	D-TCC 69X24	1744 (69)	600 (24)	556 (21 7/8)	71-82 (2 3/4-3 1/4)

North American Distribution: Barrie, Ontario, Canada Tel: 1-888-719-9913 Fax: 1-888-903-3340

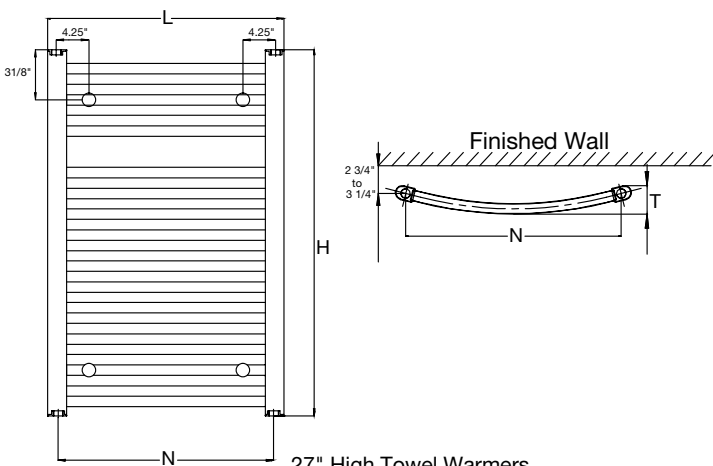
EXPRESS RADIANT LTD. PURSUE A POLICY OF CONTINUING IMPROVEMENT IN DESIGN AND PERFORMANCE OF THE PRODUCTS WE SELL. THE RIGHT IS THEREFORE RESERVED TO VARY SPECIFICATIONS AND PRICING WITHOUT NOTICE.
Stelrad® and Herz® Canadian Distributor | ©2014 Express Radiant Ltd.

18 Ladder Rail Towel Warmers Rough-In and Technical Data

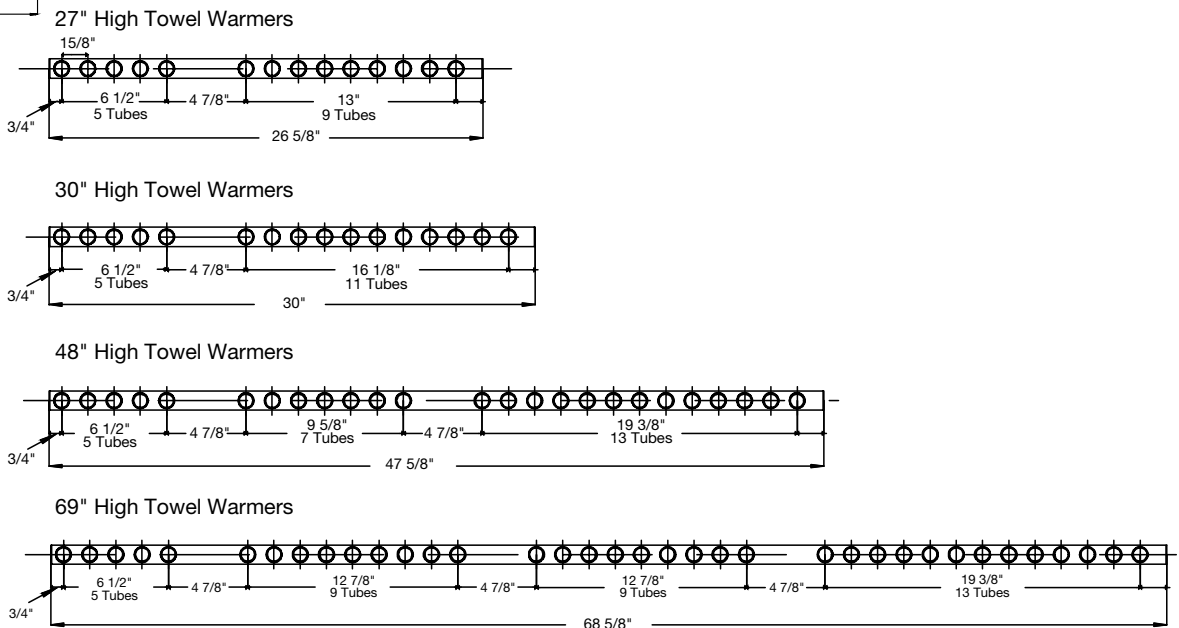
Straight Ladder Rail



Curved Ladder Rail



MODEL	LENGTH	HEIGHT	N	R	T	#TUBES
D-TSW 27x16	15 3/4"	26 3/4"	14"	2 3/4"-3 1/4"	1 1/8"	14
D-TSW 30x20	19 5/8"	30"	18"	2 3/4"-3 1/4"	1 1/8"	16
D-TSW 30x24	23 5/8"	30"	21 7/8"	2 3/4"-3 1/4"	1 1/8"	16
D-TSW 48x20	19 5/8"	47 5/8"	18"	2 3/4"-3 1/4"	1 1/8"	25
D-TSW 48x24	23 5/8"	47 5/8"	21 7/8"	2 3/4"-3 1/4"	1 1/8"	25
D-TSW 69x20	19 5/8"	68 5/8"	18"	2 3/4"-3 1/4"	1 1/8"	36
D-TSW 69x24	23 5/8"	68 5/8"	21 7/8"	2 3/4"-3 1/4"	1 1/8"	36
D-TSC 27x16	15 3/4"	26 3/4"	14"	2 3/4"-3 1/4"	1 1/8"	14
D-TSC 30x20	19 5/8"	30"	18"	2 3/4"-3 1/4"	1 1/8"	16
D-TSC 30x24	23 5/8"	30"	21 7/8"	2 3/4"-3 1/4"	1 1/8"	16
D-TSC 48x20	19 5/8"	47 5/8"	18"	2 3/4"-3 1/4"	1 1/8"	25
D-TSC 48x24	23 5/8"	47 5/8"	21 7/8"	2 3/4"-3 1/4"	1 1/8"	25
D-TSC 69x20	19 5/8"	68 5/8"	18"	2 3/4"-3 1/4"	1 1/8"	36
D-TSC 69x24	23 5/8"	68 5/8"	21 7/8"	2 3/4"-3 1/4"	1 1/8"	36
D-TCW 30x20	19 5/8"	30"	18"	2 3/4"-3 1/4"	2 1/4"	16
D-TCW 30x24	23 5/8"	30"	21 7/8"	2 3/4"-3 1/4"	2 3/8"	16
D-TCW 48x20	19 5/8"	47 5/8"	18"	2 3/4"-3 1/4"	2 1/4"	25
D-TCW 48x24	23 5/8"	47 5/8"	21 7/8"	2 3/4"-3 1/4"	2 3/8"	25
D-TCW 69x20	19 5/8"	68 5/8"	18"	2 3/4"-3 1/4"	2 1/4"	36
D-TCW 69x24	23 5/8"	68 5/8"	21 7/8"	2 3/4"-3 1/4"	2 3/8"	36
D-TCC 30x20	19 5/8"	30"	18"	2 3/4"-3 1/4"	2 1/4"	16
D-TCC 30x24	23 5/8"	30"	21 7/8"	2 3/4"-3 1/4"	2 3/8"	16
D-TCC 48x20	19 5/8"	47 5/8"	18"	2 3/4"-3 1/4"	2 1/4"	25
D-TCC 48x24	23 5/8"	47 5/8"	21 7/8"	2 3/4"-3 1/4"	2 3/8"	25
D-TCC 69x20	19 5/8"	68 5/8"	18"	2 3/4"-3 1/4"	2 1/4"	36
D-TCC 69x24	23 5/8"	68 5/8"	21 7/8"	2 3/4"-3 1/4"	2 3/8"	36



North American Distribution: Barrie, Ontario, Canada Tel: 1-888-719-9913 Fax: 1-888-903-3340

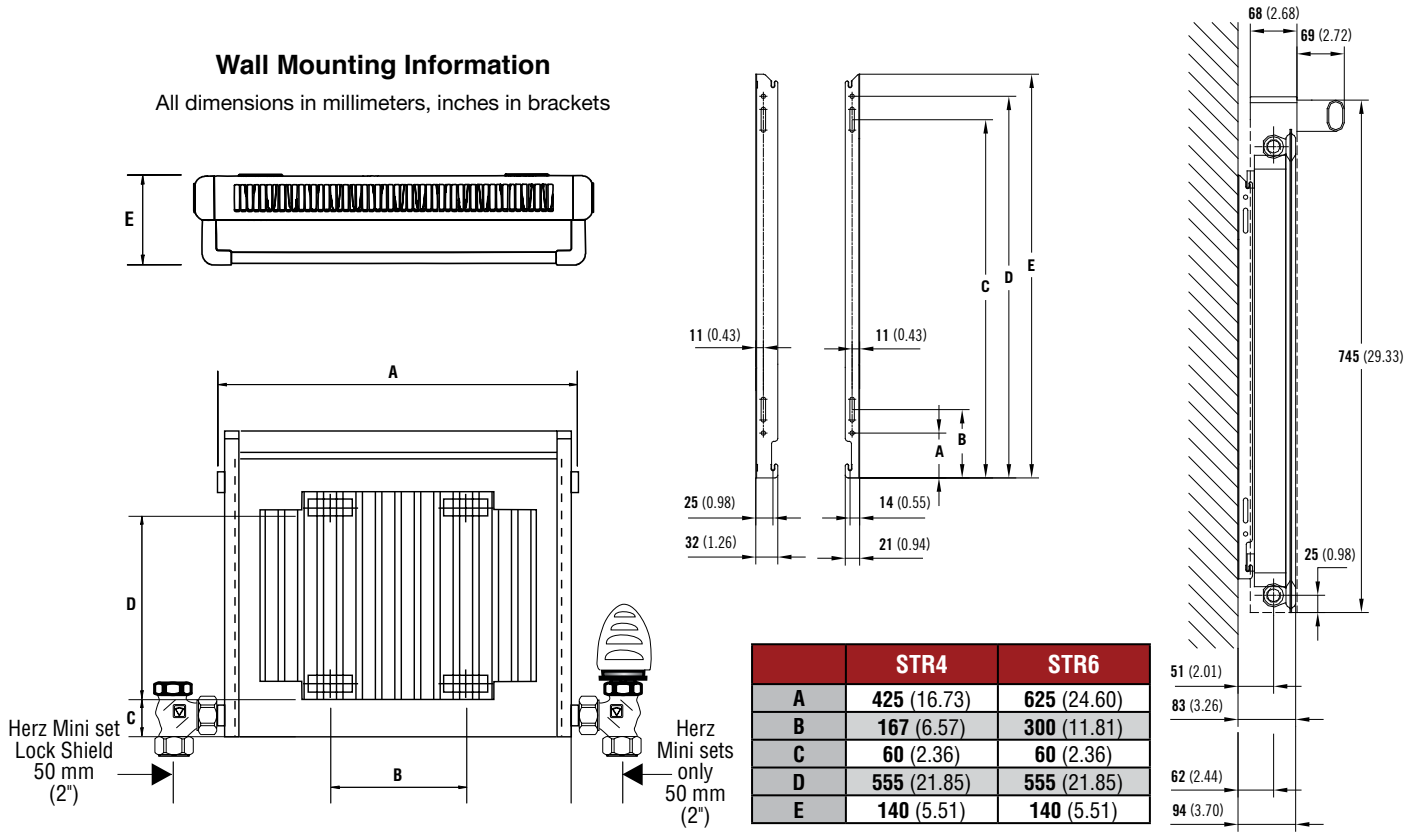
Stelrad Towel Rail Rough-In and Technical Data



Available in two lengths the Stelrad Towel Rail provides all the heat you need with the added design feature of a towel bar, perfect for bathrooms or small kitchens. Wall brackets and hardware pack included. Valves sold separately. Warranty 5 years on all STR models.

Wall Mounting Information

All dimensions in millimeters, inches in brackets



	STR4	STR6
A	425 (16.73)	625 (24.60)
B	167 (6.57)	300 (11.81)
C	60 (2.36)	60 (2.36)
D	555 (21.85)	555 (21.85)
E	140 (5.51)	140 (5.51)

PART #	HEIGHT (mm)	HEIGHT (inches)	LENGTH (mm)	LENGTH (inches)	OUTPUT bth/hr 140 °F AWT	OUTPUT bth/hr 160 °F AWT	OUTPUT bth/hr 180 °F AWT	WEIGHT (Lbs)	PIPE FROM WALL (mm)	PIP O/C (mm)	STOCK STATUS
STR 4	745	29.3	425	16.7	1208	1638	2047	22	50.00	528.00	stock
STR 6	745	29.3	625	24.6	1762	2389	2986	33	50.00	728.00	stock

North American Distribution: Barrie, Ontario, Canada Tel: 1-888-719-9913 Fax: 1-888-903-3340

20 Thermostatic Radiator Valve Sets

1. Herz Angle 1/2" Mini Set for PEX Pipe

PRODUCT CODE: VA-1773485P



Set of 1/2" angle nickel plated brass thermostatic control valves for connection to 1/2" PEX pipe. (Uses M22 x 1/2" PEX fittings Part # V-1606603 included). Chrome pipe can be used model # V-C16600

The valve kit includes:

- Bi-directional supply valve which can be fitted on the supply or return of the radiator
- Return lock shield valve for flow balancing or isolation operated by a 5/16" or 8mm Allen key (not supplied)
- The smallest thermostatic operating head on the market, with temperature settings from 0°C - 30°C with frost protection at 6°C
- This valve will fit all Express Radiant's Stelrad radiators

BOX QTY. 25

2. Herz Angle 1/2" Mini Set for Copper Pipe

PRODUCT CODE: VA-1773484C



Set of 1/2" angle nickel plated brass thermostatic control valves for connection to 1/2" copper pipe. (Uses M22 x 1/2" copper compression fittings Part # V-1606602 included)

The valve kit includes:

- Bi-directional supply valve which can be fitted on the supply or return of the Radiator
- Return lock shield valve for flow balancing or isolation operated by a 5/16" or 8mm Allen key (not supplied)
- The smallest thermostatic operating head on the market, with temperature settings from 0 °C - 30 °C with frost protection at 6 °C
- This valve will fit all Express Radiant's Stelrad radiators

BOX QTY. 25

3. Herz Angle Valve Set For NPT 1/2" Pipe Thread

PRODUCT CODE: VA-NPTTRVSET



Set of 1/2" robust angle nickel plated brass thermostatic control valves for connection to 1/2" pipe thread, nipples or adaptors to various pipe dimensions and types

The valve kit includes:

- Supply valve which must be fitted on the supply of the radiator
- Return lock shield valve for flow balancing or isolation operated by a 5/16" or 8mm Allen key (not supplied)
- Thermostatic operating head with temperature settings from 6°C - 28°C with frost protection at 6°C
- This valve will fit all Express Radiant's Stelrad radiators

4. Herz Straight Valve Set For NPT 1/2" Pipe Thread

PRODUCT CODE: VA-NPTST



Set of 1/2" robust straight nickel plated brass thermostatic control valves for connection to 1/2" pipe thread, nipples or adaptors to various pipe dimensions and types

The valve kit includes:

- Supply valve which must be fitted on the supply of the radiator
- Return lock shield valve for flow balancing or isolation operated by a 5/16" or 8mm Allen key (not supplied)
- Thermostatic operating head with temperature settings from 6°C - 28°C with frost protection at 6°C
- This valve will fit all Express Radiant's Stelrad radiators and towel warmers

5. Herz Replacement Valve Inserts

PRODUCT CODE: V-1639091 V-1639090



Replacement valve insert for all 1/2" thermostatic valves sold in North America. This can be changed with system under pressure using Herz change tool V-1778000 or during routine maintenance.

Herz Replacement Valve Inserts, PRODUCT CODE V-1639091

Herz Replacement Valve Insert for Mini Set, PRODUCT CODE V-1639090

North American Distribution: Barrie, Ontario, Canada Tel: 1-888-719-9913 Fax: 1-888-903-3340

Thermostatic Radiator Valve Sets

21

6. Herz Straight Valve Set For Copper

PRODUCT CODE: VA-ST1773367C



Set of ½" straight nickel plated brass thermostatic control valves for compression connection to ½" copper pipe. (Uses G3/4 X ½" Copper Fittings Part # V-1627616 included). Chrome pipe can be used Model # V-C16600.

The valve kit includes:

- Supply valve which must be fitted on the supply of the radiator
- Return lock shield valve for flow balancing or isolation operated by a 5/16" or 8mm Allen key (not supplied)
- Thermostatic operating head with temperature settings from 6°C - 28°C with frost protection at 6°C.
- This valve will fit all Express Radiant's Stelrad radiators and towel warmers

7. Herz Straight Valve Set For PEX

PRODUCT CODE: VA-ST1773367P



Set of ½" straight nickel plated brass thermostatic control valves for connection to ½" PEX pipe. (Uses G3/4 X ½" PEX Fittings Part # V-1609803 included)

The valve kit includes:

- Supply valve which must be fitted on the supply of the radiator
- Return lock shield valve for flow balancing or isolation operated by a 5/16" or 8mm Allen key (not supplied)
- Thermostatic operating head with temperature settings from 6°C - 28°C with frost protection at 6°C
- This valve will fit all Express Radiant's Stelrad radiators and towel warmers

8. Herz Reverse Angle (LH) Valve Set For NPT ½" Pipe Thread

PRODUCT CODE: VA-NPTLH



Set of ½" reverse angle nickel plated brass thermostatic control valves for connection to ½" pipe thread. This valve pattern allows the thermostatic head to be mounted in a vertical configuration on the left side of the radiator.

The valve kit includes:

- Supply valve which must be fitted on the supply of the radiator
- Return lock shield valve for flow balancing or isolation operated by a 5/16" or 8mm Allen key (not supplied)
- Thermostatic operating head with temperature settings from 6°C - 28°C with frost protection at 6°C
- This valve will fit all Express Radiant's Stelrad radiators and towel warmers

9. Herz Reverse Angle (RH) Valve Set For NPT ½" Pipe Thread

PRODUCT CODE: VA-NPTRH



Set of ½" reverse angle nickel plated brass thermostatic control valves for connection to ½" pipe thread. This valve pattern allows the thermostatic head to be mounted in a vertical configuration on the right side of the radiator.

The valve kit includes:

- Supply valve which must be fitted on the supply of the radiator
- Return lock shield valve for flow balancing or isolation operated by a 5/16" or 8mm Allen key (not supplied)
- Thermostatic operating head with temperature settings from 6°C - 28°C with frost protection at 6°C
- This valve will fit all Express Radiant's Stelrad radiators and towel warmers

10. Herz ½" Copper Compression Connector

PRODUCT CODE: V-1627616



G 3/4" X ½" Copper Compression Connector

22 Thermostatic Radiator Valve Sets

11. Herz Reverse Angle (RH) Valve Set For PEX Pipe

PRODUCT CODE: VA-PEXRH



Set of ½" reverse angle nickel plated brass thermostatic control valves for connection to ½" PEX. This valve pattern allows the thermostatic head to be mounted vertical on the right side of the radiator. (Uses G3/4 X ½" PEX Fittings Part # V-1609803 Included)

The valve kit includes:

- Supply valve which must be fitted on the supply (right) side of the radiator
- Return lock shield valve for flow balancing or isolation operated by a 5/16" or 8mm Allen key (not supplied)
- Thermostatic operating head with temperature settings from 6°C - 28°C with frost protection at 6°C
- This valve will fit all Express Radiant's Stelrad radiators and towel warmers

12. Herz Reverse Angle (LH) Valve Set For PEX Pipe

PRODUCT CODE: VA-PEXLH



Set of ½" reverse angle nickel plated brass thermostatic control valves for connection to ½" PEX. This valve pattern allows the thermostatic head to be mounted vertical on the left side of the radiator. (Uses G3/4 X ½" PEX Fittings Part # V-1609803 Included)

The valve kit includes:

- Supply valve which must be fitted on the supply (left) side of the radiator
- Return lock shield valve for flow balancing or isolation operated by a 5/16" or 8mm Allen key (not supplied)
- Thermostatic operating head with temperature settings from 6°C - 28°C with frost protection at 6°C
- This valve will fit all Express Radiant's Stelrad radiators and towel warmers

13. Herz Reverse Angle (LH) Valve Set For Copper Pipe

PRODUCT CODE: VA-CULH



Set of ½" reverse angle nickel plated brass thermostatic control valves for connection to ½" copper. This valve pattern allows the head to be mounted vertical on the left side of the radiator. (Uses G3/4 X ½" Copper Fittings Part # V-1627616 Included)

The valve kit includes:

- Supply valve which must be fitted on the supply (left) side of the radiator
- Return lock shield valve for flow balancing or isolation operated by a 5/16" or 8mm Allen key (not supplied)
- Thermostatic operating head with temperature settings from 6°C - 28°C with frost protection at 6°C
- This valve will fit all Express Radiant's Stelrad radiators and towel warmers

14. Herz Reverse Angle (RH) Valve Set For Copper Pipe

PRODUCT CODE: VA-CURH



Set of ½" reverse angle nickel plated brass thermostatic control valves for connection to ½" copper. This valve pattern allows the head to be mounted vertical on the right side of the radiator. (Uses G3/4 X ½" Copper Fittings Part # V-1627616 Included)

The valve kit includes:

- Supply valve which must be fitted on the supply (right) side of the radiator
- Return lock shield valve for flow balancing or isolation operated by a 5/16" or 8mm Allen key (not supplied)
- Thermostatic operating head with temperature settings from 6°C - 28°C with frost protection at 6°C
- This valve will fit all Express Radiant's Stelrad radiators and towel warmers

Thermostatic Radiator Valve Sets

23

15. Herz Two-pipe Bypass Valve

PRODUCT CODE: VA-171750110C (Copper) VA-171750110P (PEX)



½" Two-pipe bypass valve with reverse angle thermostatic valve and head for copper and PEX connections

- Suitable for 28" high radiators

16. Herz Two-pipe Bypass Valve

PRODUCT CODE: VA-17175016C (Copper) VA-17175016P (PEX)



½" Two-pipe bypass valve with reverse angle thermostatic valve and head for copper and PEX connections

- Suitable for 8" to 24" high radiators

Radiator Connectors

17. Herz ½" Pex Compression Connector

PRODUCT CODE: V-1609803



G 3/4" X ½" PEX Connector

18. Herz Straight ½" Union Connector

PRODUCT CODE: V-1414401 (Single) VA-1414401 (Pair)



½" NPT straight nickel plated brass union radiator connector (s)

- This will fit all Express Radiant, Stelrad radiators and towel warmers

19. Herz Angle ½" Union Connector

PRODUCT CODE: V-1414501 (Single) VA-1414501 (Pair)



½" NPT angle nickel plated brass union radiator connector (s)

- This will fit all Express Radiant, Stelrad radiators and towel warmers

20. Herz M22 x ½" PEX Compression Connector

Product Code: V-1606603



M22 X ½" PEX Adapter Fitting

North American Distribution: Barrie, Ontario, Canada Tel: 1-888-719-9913 Fax: 1-888-903-3340

24 Radiator Connectors

21. Herz Angle Connectors for Copper Pipe **PRODUCT CODE: V-1624201C (Single) VA-1624201C (Pair)**



½" copper compression angle nickel plated brass union radiator connector (s)
(Uses M22 X ½" Copper Fittings Part # V-1606602 Included)
Chrome pipe can be used Model # V-C16600

- This will fit all Express Radiant's Stelrad radiators and towel warmers
- Rough in 2" total less than rough-in on pages 4 to 7

22. Herz Angle Connectors for PEX Pipe **PRODUCT CODE: V-1624201P (Single) VA-1624201P (Pair)**



½" PEX compression angle nickel plated brass union radiator connector (s)
(Uses M22 X ½" PEX Fittings Part # V-1606603 Included)

- This will fit all Express Radiant's Stelrad radiators and towel warmers
- Rough in 2" total less than rough-in on pages 4 to 7

23. Herz M 22 X ½" Copper Compression Adapter **PRODUCT CODE: V-1606602**



M22 X ½" Copper Connector

24. Herz Straight ½" Copper Connectors **PRODUCT CODE: V-1300231C (Single) VA-1300231C (Pair)**



½" Copper compression straight nickel plated brass radiator connector (s)
(Uses G3/4" x ½" copper connector Part # V-1627616 included)
Chrome pipe can be used model # V-C16600

- No tape or dope required
- This will fit all Express Radiant's Stelrad radiators and towel warmers

25. Herz Straight ½" PEX Connectors **PRODUCT CODE: V-1300231P (Single) VA-1300231P (Pair)**



½" PEX compression straight nickel plated brass radiator connector (s)
(Uses G3/4" x ½" PEX connector Part # V-1609803 included)

- No tape or dope required
- This will fit all Express Radiant's Stelrad radiators and towel warmers

Radiator Valves

25

26. Herz Angle Lock Shield Valve 1/2"

PRODUCT CODE: V-1374801P (PEX) V-1374801C (Copper)



1/2" PEX and Copper

- This will fit all Express Radiant's Stelrad radiators and towel warmers

Valves shown with PEX Connectors

27. Herz Thermostatic Angle Valve Body 1/2"

PRODUCT CODE: V-1772437P (PEX) V-1772437C (Copper)



1/2" PEX and Copper

- This will fit all Express Radiant's Stelrad radiators

Valves shown with PEX Connectors

28. Herz Thermostatic Reverse Angle Left Hand Valve Body

PRODUCT CODE: V-1775991



Herz Thermostatic Reverse Angle

- Left Hand Valve Body
- 1/2" NPT

29. Herz Thermostatic Reverse Angle Right Hand Valve Body

PRODUCT CODE: V-1775891



Herz Thermostatic Reverse Angle

- Right Hand Valve Body
- 1/2" NPT

30. Herz Angle 1/2" NPT Thermostatic Valve Body

PRODUCT CODE: V-1772456



1/2" NPT pipe thread angle nickel plated brass thermostatic radiator control valve

- This will fit all Express Radiant's Stelrad radiators

26 Radiator Valves

31. Herz Angle 1/2" NPT Lock Shield Valve

PRODUCT CODE: V-1342456



1/2" NPT pipe thread angle nickel plated brass return lock shield valve used for isolation and flow balancing

- This will fit all Express Radiant's Stelrad radiators and towel warmers

32. Herz Straight 1/2" NPT Thermostatic Valve Body

PRODUCT CODE: V-1772391



1/2" NPT pipe thread straight nickel plated brass thermostatic radiator control valve

- This will fit all Express Radiant's Stelrad radiators and towel warmers

33. Herz Straight 1/2" NPT Lock Shield Valve

PRODUCT CODE: V-1372341



1/2" NPT pipe thread straight nickel plated brass return lock shield valve used for isolation and flow balancing

- This will fit all Express Radiant's Stelrad radiators and towel warmers

34. Herz Straight 1/2" Thermostatic Valve Body

PRODUCT CODE: V-1773367P (PEX) V-1773367C (Copper)



1/2" PEX or Copper straight nickel plated brass thermostatic radiator control valve

- This will fit all Express Radiant's Stelrad radiators and towel warmers

35. Herz Straight 1/2" Lockshield Valve

PRODUCT CODE: V-1373311P (PEX) V-1373311C (Copper)



1/2" PEX or Copper straight nickel plated brass return lock shield valve used for isolation and flow balancing.

- This will fit all Express Radiant's Stelrad radiators and towel warmers

36. Herz 1/2" Angle NPT Low Pressure Drop Valve Set (No Head)

PRODUCT CODE: VA-1772411



1/2" NPT pipe thread angle nickel plated brass thermostatic valve set suitable for mono flow single pipe systems that require a very low pressure drop across the supply and return valves.

- This will fit all Express Radiant's Stelrad radiators

Chrome Radiator Valves

37. Manual 1/2" Angle Cross Head Valves

PRODUCT CODE: V-CROSSH16-P or V-CROSSH16-C



1/2" angle chrome plated brass classic cross head radiator valves
Has compression fitting to fit standard 1/2" copper or 1/2" PEX tubing

- These attractive operating valves require 12 mm Allen key to secure the tail piece into the radiator or towel warmer. (Not Included)
- This will fit all Express Radiant's Stelrad radiators and towel warmers
- Sold in pairs

38. Manual 1/2" Straight Cross Head Valves

PRODUCT CODE: V-CROSSH16S-P or V-CROSSH16S-C



1/2" angle chrome plated brass classic cross head radiator valves
Has compression fitting to fit standard 1/2" copper or 1/2" PEX tubing

- These attractive operating valves require a 12 mm Allen key to secure the tail piece into the radiator or towel warmer. (Not Included)
- This will fit all Express Radiant's Stelrad radiators and towel warmers
- Sold in pairs

39. Angled TRV Valve

PRODUCT CODE: VA-CHROMETRVSET-C or VA-CHROMETRVSET-P



1/2" angle chrome plated brass valve set with chrome thermostatic head
Has compression fitting to fit standard 1/2" copper or 1/2" PEX tubing

- These attractive operating valves require a 12 mm Allen key to secure the tail piece into the radiator or towel warmer. (Not Included)
- This will fit all Express Radiant's Stelrad radiators and towel warmers

40. Straight TRV Valve

PRODUCT CODE: VA-CHROMETRVSET-SC or VA-CHROMETRVSET-SP



1/2" straight chrome plated brass valve set with chrome thermostatic head
Has compression fitting to fit standard 1/2" copper or 1/2" PEX tubing

- These attractive operating valves require a 12 mm Allen key to secure the tail piece into the radiator or towel warmer. (Not Included)
- This will fit all Express Radiant's Stelrad radiators and towel warmers

41. Angled Chrome Plated Lockshield

PRODUCT CODE: V-CHROMELS-P or V-CHROMELS-C



Has compression fitting to fit standard 1/2" copper or 1/2" PEX tubing

- This will fit all Express Radiant's Stelrad radiators and towel warmers

42. Straight Chrome Plated Lockshield

PRODUCT CODE: V-CHROMESLS-SP or V-CHROMESLS-SC



Has compression fitting to fit standard 1/2" copper or 1/2" PEX tubing

- This will fit all Express Radiant's Stelrad radiators and towel warmers

28 Controls

43. Herz Non-Electric Mini Thermostatic Head

PRODUCT CODE: V-1920060



Thermostatic head, liquid filled. Operating temperature range: 6°C - 30°C
Frost protection at 6°C, comfort level at scale mark 3

- Fits all Herz thermostatic valve bodies
- Used for sensing room temperature and automatically adjusting flow of liquid through valve body and radiator or heat emitter

44. Herz Liquid Sensing Thermostatic Head

PRODUCT CODE: V-1720100



Contact sensing thermostatic head for sensing ambient water temperature of a valve and adjusts the flow rate of a Herz valve to limit the heat at a pre-set temperature of between 25°C (77°F) and 60°C (140°F)

- Good for use with radiant in-floor applications or any application that requires a fixed discharge water temperature between 25°C (77°F) and 60°C (140°F)
- Fits all Herz thermostatic valve bodies

Accessories

45. Herz Valve Insert Change Tool

PRODUCT CODE: V-1778000



Herz valve insert change tool.

- For changing valve insert without draining down system or radiator

46. Herz Multi-purpose Key

PRODUCT CODE: V-1662500



Herz multi-purpose key

- For adjusting lock shield valves and bleeding radiators

47. Stelrad Radiator Air Bleeder Key

PRODUCT CODE: V-VENT KEY



Air bleeder key used for all Express Radiant's Stelrad radiators and towel warmers

48. ½" X 24" Chrome Tubing

PRODUCT CODE: V-C16600



½" chrome plated brass tubing 24" long

- Will fit to all Herz copper compression valves
- Easy to solder just remove chrome plating with file and solder to any fitting or use compression fittings

Accessories

29

49. ½" X 8" Chrome and White Radsnaps

PRODUCT CODE: V-RSC8 (Chrome) V-RSW8 (White)



½" chrome or white pipe covering sleeves, 10 pcs 8" long

- The pipe sleeves can be installed easily around exposed piping and give the appearance of white or chrome pipework
- The individual pieces can be cut with scissors to the required length and snapped around the exposed pipe

50. ½" X 40" Chrome and White Pipesnaps PRODUCT CODE: V-PIPESNAPC (Chrome) V-PIPESNAPW (White)



½" chrome or white pipe covering sleeves, 3 pieces 40" (1m) long

- The pipe sleeves can be installed easily around exposed piping and give the appearance of white or chrome pipework
- The individual pieces can be cut with scissors to the required length and snapped around the exposed pipe

51. Stelrad Compact Floor Standing Bracket

PRODUCT CODE: V-FS BRACKET



Universal floor standing bracket with adjustable height setting for Stelrad Compact Radiators

- When ordering please specify if they are being installed on a K1 or K2 radiator
- Will fit radiators in heights from 12" to 28", not suitable for the 8" radiator
- Sold as single

52. Stelrad Classic Column Floor Standing Brackets

PRODUCT CODE: V-CLFS



Floor standing brackets for classic column radiators

- Sold in pairs

53. White Ladder Rail Brackets

PRODUCT CODE: V-WBLRCW (Curved white) V-WBLRSW (Straight white)



Replacement wall brackets for Stelrad ladder rail towel warmers

- Includes hardware accessories pack

54. Chrome Ladder Rail Brackets

PRODUCT CODE: V-WBLRCC (Curved chrome) V-WBLRSC (Straight chrome)



Replacement wall brackets for Stelrad ladder rail towel warmers

- Includes hardware accessories pack

55. Extensions



Extensions for radiator valve connections

PRODUCT CODE: V-EXT20 20mm (3/4")

PRODUCT CODE: V-EXT30 30mm (1 3/16")

PRODUCT CODE: V-EXT40 40mm (1 1/2")

56. Stelrad Compact Radiator Wall Brackets



Replacement wall brackets, sold in pairs

PRODUCT CODE: V-WB200

PRODUCT CODE: V-WB300

PRODUCT CODE: V-WB450

PRODUCT CODE: V-WB600

PRODUCT CODE: V-WB700

57. J-Brackets



- Wall mounted through the top grille and in the lower welding seam for easy placement
- Sold in singles
- Suitable for K2 and S2 type radiators only

PRODUCT CODE: V-JBracket 200
PRODUCT CODE: V-JBracket 300
PRODUCT CODE: V-JBracket 450
PRODUCT CODE: V-JBracket 600
PRODUCT CODE: V-JBracket 700



58. Stelrad Replacement Hardware Pack

PRODUCT CODE: V-HARDWARE



Stelrad hardware pack for for compact and style radiators.
Includes nickel plated air vent, blank plug and bracket isolators.

59. Stelrad Ladder Rail Hardware Pack

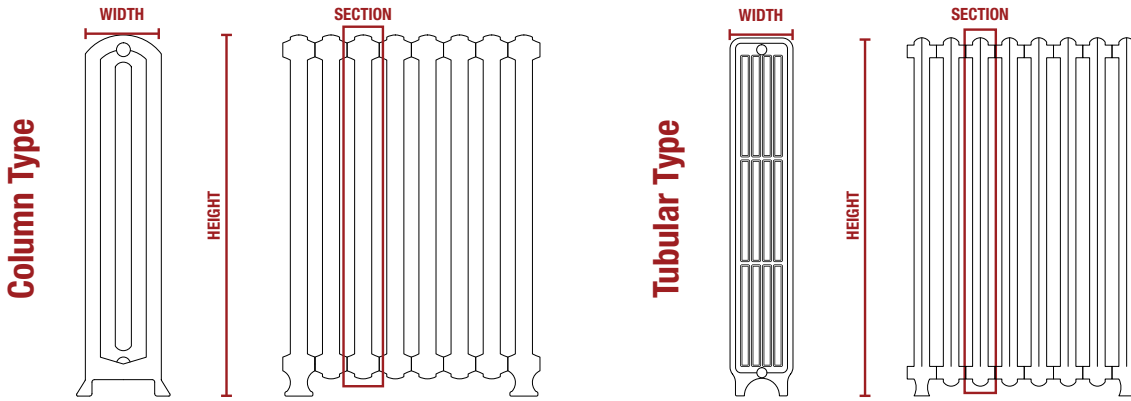
PRODUCT CODE: V-LRHARDWARE



Hardware pack for all types of Stelrad ladder rails

Replacement top grilles and end panels are available as a special order and not carried as stock.

32 Calculating Existing Cast Iron Radiator Output in BTU's/Hr



To find the output of a cast iron radiator, you need to know the surface area in square feet of the radiator. Follow these steps to calculate the square feet of radiation. NOTE: Column and Tube cast iron radiators are the two main types.

Step #1. Calculate the square footage of one section of the radiator.

- Measure height of section
- Measure width of section
- Find square feet of section in Chart # 1 for COLUMN or Chart # 2 for TUBE type radiator

Step #2. Multiply the square feet of the one section by the number of sections. Equals the cast iron radiator's total square foot of radiation.

Step #3. Multiply the total square foot of the radiator by the BTU output per square foot according to the heating supply temperature, Chart #3

Please note that a house heated with all cast iron radiators, the supply temperature generally does not exceed 140F or 90Btu's per square foot output for the cast iron radiator.

1. Sq. Ft. Radiation Per Section for COLUMN TYPE Radiators

HEIGHT (inches)	4-1/2" WIDE ONE COLUMN	7-1/2" WIDE TWO COLUMN	9" WIDE THREE COLUMN	11-1/2" WIDE FOUR COLUMN	13" WIDE FIVE COLUMN
13	-	-	-	-	3
16	-	-	-	-	3-3/4
18	-	-	2-1/4	3	4-1/4
20	1-1/2	2	-	-	5
22	-	-	3	4	-
23	1-2/3	2-1/3	-	-	-
26	2	2-2/3	3-3/4	5	-
32	2-1/2	3-1/3	4-1/2	6-1/2	-
38	3	4	5	8	-
45	-	5	6	10	-

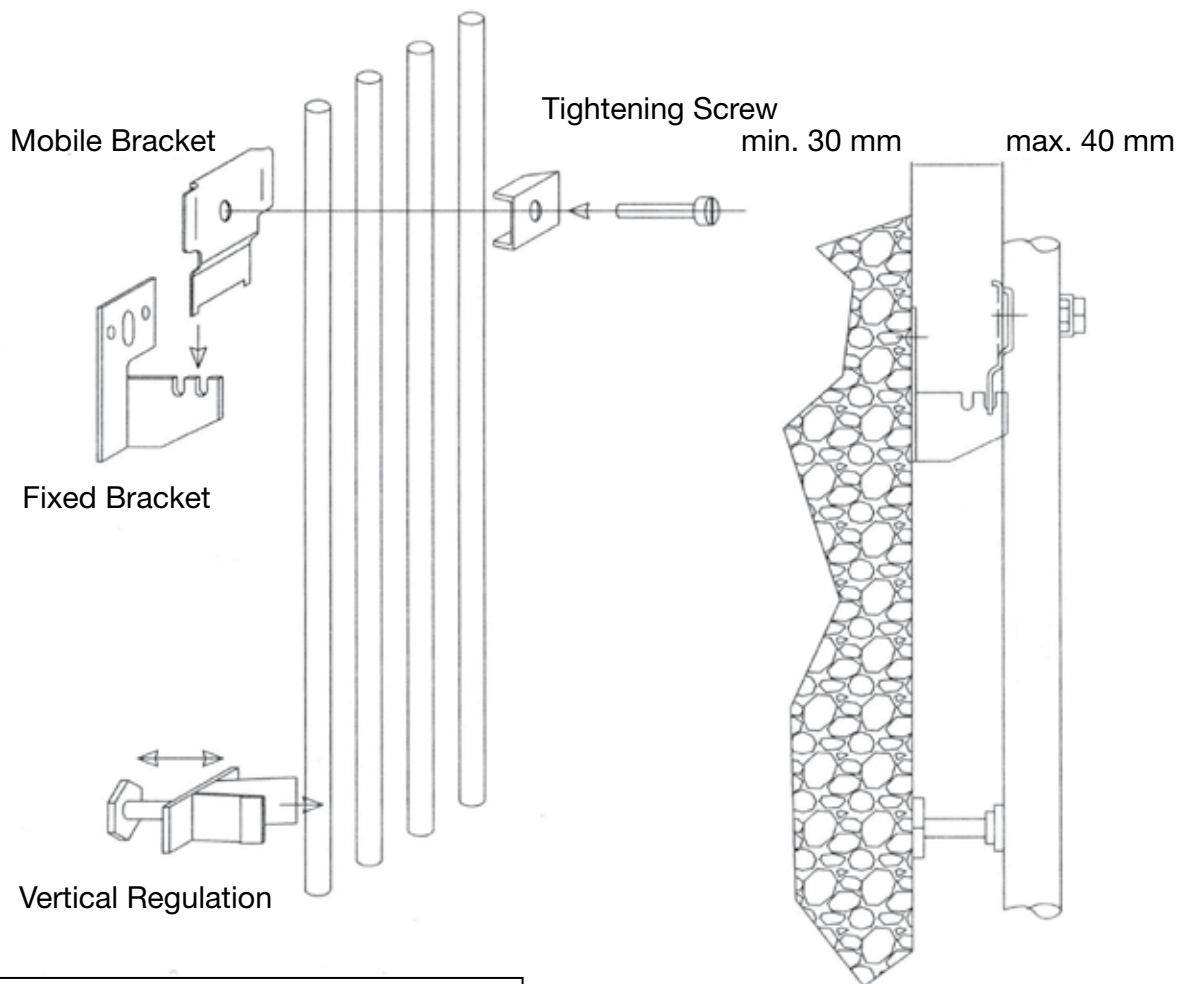
2. Sq. Ft. Radiation Per Section for TUBE TYPE Radiators

HEIGHT (inches)	5" WIDE THREE TUBE	7" WIDE FOUR TUBE	8-3/4" WIDE FIVE TUBE	9-3/4" WIDE SIX TUBE	12-1/2" WIDE SEVEN TUBE
14	-	-	-	-	2-1/2
17	-	-	-	-	3
20	1-3/4	2-1/4	2-2/3	3	3-2/3
23	2	2-1/2	3	3-1/2	-
26	2-1/3	2-3/4	3-1/2	4	4-3/4
32	3	3-1/2	4-1/3	5	-
38	3-1/2	4-1/4	5	6	-

3. Heat Emissions for Cast Iron Radiators

DESIGN OR AVERAGE WATER TEMPERATURE	HEAT EMISSION RATES BTUH PER SQ. FT.	DESIGN OR AVERAGE WATER TEMPERATURE	HEAT EMISSION RATES BTUH PER SQ. FT.
110° F	30	180° F	170
120° F	50	185° F	180
130° F	70	190° F	190
140° F	90	195° F	200
150° F	110	200° F	210
160° F	130	205° F	220
170° F	150	210° F	230
175° F	160	215° F	240

Classic Column Wall Bracket Installation



Also available Column Radiator Floor Brackets see item 52 on page 29.

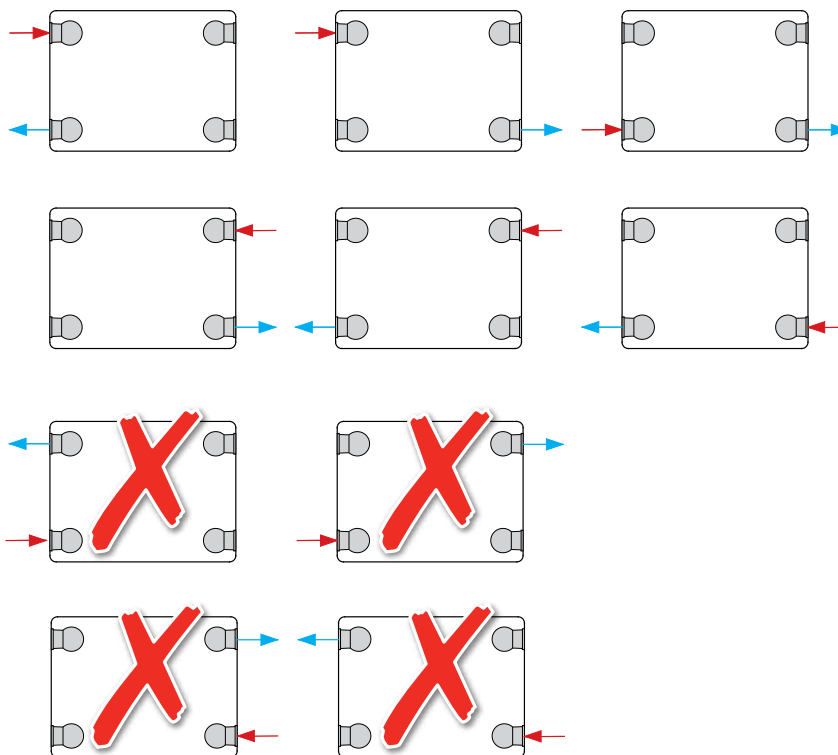
North American Distribution: Barrie, Ontario, Canada Tel: 1-888-719-9913 Fax: 1-888-903-3340

EXPRESS RADIANT LTD. PURSUE A POLICY OF CONTINUING IMPROVEMENT IN DESIGN AND PERFORMANCE OF THE PRODUCTS WE SELL. THE RIGHT IS THEREFORE RESERVED TO VARY SPECIFICATIONS AND PRICING WITHOUT NOTICE.
Stelrad® and Herz® Canadian Distributor | ©2014 Express Radiant Ltd.

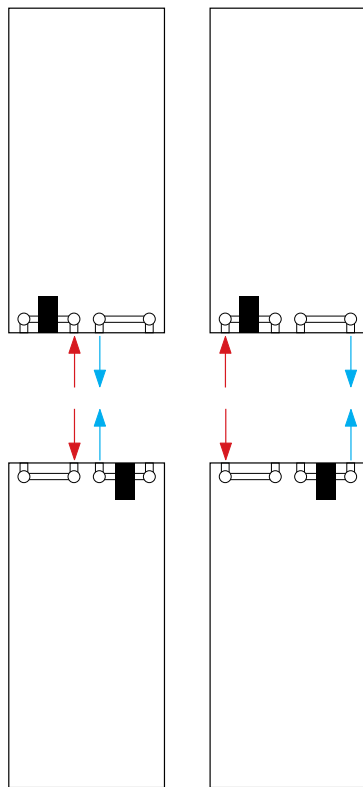
Piping options for Stelrad Steel panel radiators

34 Radiator Piping Connection Methods

Piping Options



K2 Vertex and Style Vertical Radiator piping options



Express Radiant Ltd. Conditions of Sale (Canada & US)

UNLESS VARIED BY EXPRESS RADIANT LTD. IN WRITING, ALL GOODS ARE SOLD ONLY UPON THE FOLLOWING TERMS AND CONDITIONS:

1. **Quotations:** Are valid for acceptance for 28 days from the date shown unless withdrawn by us before that date and are subject to our written acceptance of the Buyer's order.
2. **Prices and Discounts:** Are subject to alteration without notice and are given as a guide only as all Goods, as hereinafter defined, are sold at prices ruling on date of dispatch. Prices are exclusive of applicable taxes which will be added to the Buyer's invoice where applicable.
3. **Delay and Cancellations:** Any delivery date indicated shall be regarded as an estimate only, although we shall make every effort to ensure prompt delivery. Whilst every effort will be made to carry out the contract, its due performance is subject to cancellation by us without compensation or to such variation as we may find necessary as a result of a scarcity of labour, materials or supplies, or because of any Act of God, war, strike, lockout or other labour dispute, fire, the elements, legislation, or (without prejudice to the generality of the foregoing) any other cause beyond our control.
4. **Delivery & Risk:** Delivery shall be when the goods set out in the applicable invoice (the "Goods") have been delivered to the Buyer's premises or to such other place as the Buyer may require. This risk shall pass to the Buyer when the Goods have been delivered.
5. **Transport:** Will be effected or arranged by us and Goods will be delivered to destinations in agreed areas carriage paid unless:
 - (a) value of order for Goods is less than \$100; or (b) we are informed by the Buyer in writing that the Goods are to be transported by other special delivery, the extra carriage charges for which will be added to the Buyer's invoice.
6. **Damage in Transit:** we will entertain no claim for Goods lost or damaged in transit unless notification of the nature and extent of such a claim is received by us and the Carrier either upon receipt of delivery of damaged Goods, or within 28 days of receipt of delivery of the damaged Goods. Our liability shall in no circumstances exceed the invoiced value of the Goods lost or damaged. Goods subject to claim, shall be stored free of charge for inspection. They shall not be returned to nor accepted by us without written consent.
7. **Exclusion of Warranties:**
 - (a) THE BUYER ACKNOWLEDGES THAT EXPRESS RADIANT LTD. ("EXPRESS") IS NOT THE MANUFACTURER OF THE GOODS. EXPRESS MAKES NO REPRESENTATION OR WARRANTY, EXPRESS, IMPLIED OR STATUTORY AS TO THE CONDITION FOR FITNESS OF THE GOODS AND HEREBY SPECIFICALLY DISCLAIMS ANY WARRANTY OF MERCHANTABILITY OR FITNESS FOR ANY PARTICULAR PURPOSE. EXPRESS WILL, HOWEVER, USE COMMERCIALY REASONABLE EFFORTS, AS REQUESTED BY THE BUYER, TO ASSIST THE BUYER IN ENFORCING ANY WARRANTY THAT THE MANUFACTURER OF THE GOODS MAY HAVE IN EFFECT. EXPRESS SHALL HAVE NO LIABILITY FOR ANY DAMAGES, INCLUDING CONSEQUENTIAL, INCIDENTAL, SPECIAL, COLLATERAL, PUNITIVE, EXEMPLARY OR INDIRECT DAMAGES (INCLUDING WITHOUT LIMITATION LOSS OF GOODWILL, LOSS OF PROFITS OR REVENUES, LOSS OF SAVINGS, LOSS OF USE, INTERRUPTION OF BUSINESS AND CLAIMS OF BUYERS ARISING OUT OF THE USE OF THE GOODS OR OTHERWISE. EXPRESS SPECIFICALLY DISCLAIMS ANY WARRANTY THAT THE GOODS ARE IN COMPLIANCE WITH ANY APPLICABLE GOVERNMENTAL REQUIREMENTS OR REGULATIONS.
 - (b) Goods subject to claim shall not be returned to us and we will not accept them without our prior written consent.
 - (c) **Any returned Goods that we accept back after 30 days will be subject to a restocking fee of 25% on panel radiators, 50% on columns and style radiators, 25% on all valves.**
8. **Dimensions and Illustrations:** Our price lists and publicity brochures have been prepared with every care but their accuracy is not guaranteed and we reserve the right to vary such information without notice. Exact dimensions will be provided on application.
9. **Payment:** All invoices shall be due for payment on the terms set out therein which shall be **net 30 days**. Default in payment of any invoice shall entitle us to treat any outstanding contracts between us and the Buyer as repudiated by the Buyer, however such repudiation shall in no way relieve the Buyer of its obligations to pay amounts then outstanding to Express, including interest thereon.
10. **Ownership:**
 - (a) Notwithstanding any passing of risk to the Buyer we retain ownership of the Goods the subject matter of this contract the property in which shall not pass to the Buyer and the Buyer shall keep any Goods delivered to us as bailee for and on our behalf until we have received full payment of the price of all Goods (whether or not the Goods are delivered in installments and some have been paid for by the Buyer) and all other sums due at any time whatsoever from the Buyer to us.
 - (b) Until ownership of the Goods has been passed to the Buyer, the Buyer:
 - (i) shall insure the delivered Goods against any loss or damage with an insurance company of repute;
 - (ii) shall store the delivered Goods separately or in some other way ensure that they are readily identifiable as our property.
 - (iii) Irrevocably authorizes our representatives at any time and from time to time (whether or not payment is due) to repossess the Goods and for such purpose to enter any premises occupied by the Buyer or where the Goods are or are thought to be and to sever the Goods from anything to which they are attached without being responsible for any damage caused
 - (iv) Shall keep the delivered Goods free from any charge, lien or other encumbrance.
 - (A) If while under our ownership the Goods or any of them are processed or incorporated into other Goods (the "New Goods") then, provided the goods remain a readily identifiable and removable part of the New Goods, the provision of clauses (a) and (b) shall apply.
 - (B) We (acting on our own account not as agent for the Buyer) may sell or agree to sell any of the Goods or the New Goods in our possession on such terms as we may in our sole discretion consider appropriate.
 - (C) We shall be entitled to a general lien over all Goods and materials of the Buyer which are in our possession or control from time to time for any sums due at any time whatsoever from the Buyer to us.
 - (D) Nothing in this clause 10 shall affect any other of our rights or remedies.
 - (E) The provisions of this clause 10 shall survive termination of the contract for any reason.
11. **Limitation of Liability:**
 - (a) The rights conferred by these conditions shall so far as legally possible replace and exclude all common law, statutory or other warranties or conditions whether express or implied. Save as specifically mentioned above we do not accept liability, in tort or contract or otherwise, for any direct or indirect loss or damage, howsoever arising.
 - (b) In no event will Express be liable for any indirect, incidental, consequential, special, punitive or exemplary damages, or any other damages (including, without limitation, damages for loss of business profits, business interruption, personal injury, failure to meet any duty including acts of good faith or of reasonable care, lack of diligence, and for any other pecuniary or other loss whatsoever) arising out of or in any way connected with the use of the Goods, the delay in delivery of the Goods, even in the event of fault, tort (including negligence), strict liability, breach of contract, or breach of warranty of Express and even if Express has been advised of the possibility of such damages. These limitations and exclusions regarding damages apply even if any remedy fails.
 - (c) Notwithstanding the foregoing, in no event will Express be liable to the Buyer for any amount in excess of the price paid by the Buyer to Express for the Goods.
 - (d) Some jurisdictions do not allow the exclusion of certain warranties or the limitation or exclusion of liability for incidental or consequential damages. Accordingly, some of the above limitations may not apply to the Buyer.
12. **Waiver:** Our rights shall not be affected or restricted by any indulgence or forbearance to the Buyer. No waiver by us of any breach shall operate as a waiver of any wlater breach.
13. **Variation of Conditions:** No variation of these conditions or the particulars in our acceptances shall be valid unless agreed by us in writing.
14. **Law:** This agreement shall be governed by the laws of the Province of Ontario and the laws of Canada applicable therein. Any dispute regarding this agreement shall be referred to a single arbitrator appointed by a Judge of the Superior Court of Justice sitting in Toronto, which arbitration shall proceed in accordance with the provisions of the *Arbitration Act, 1991* (Ontario), as amended.

ExpressRadiant

Barrie, Ontario, Canada

Tel: 705 730 6868 / 1 888 719 9913 Fax: 705 730 1949 / 1 888 903 3340

ExpressRadiant

Barrie, Ontario, Canada

Tel: 705 730 6868 / 1 888 719 9913 **Fax:** 705 730 1949 / 1 888 903 3340